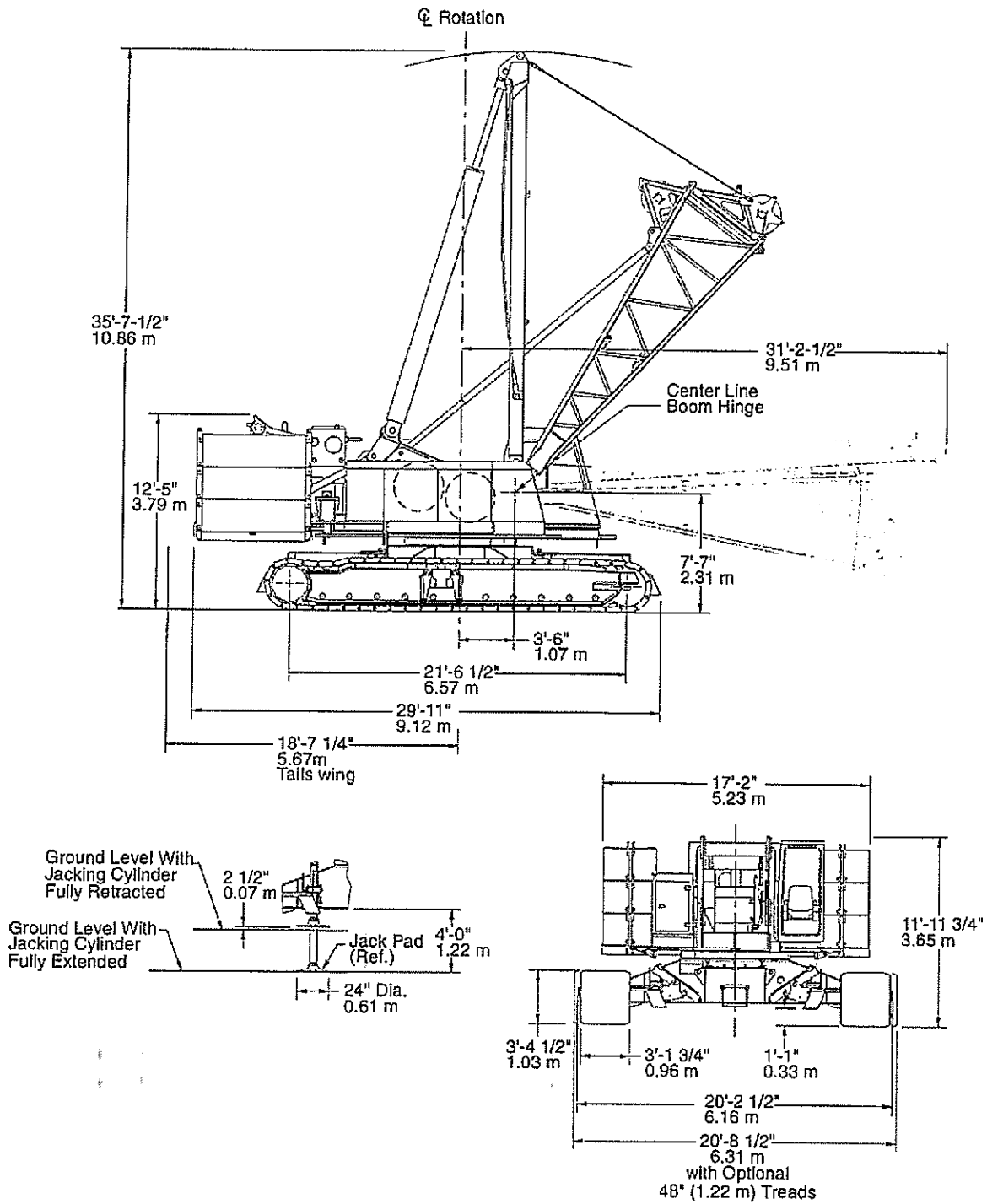


OUTLINE DIMENSIONS

170050



Liftcrane Boom Capacities

777 SERIES 2

Boom No. 78
142,000 Lb. Crane Counterweight
44,000 Lb. Carbody Counterweight
Crawler Machine on a Barge
0 Degree thru 3 Degree Machine List
No Travel - 360 Degree Rating

LIFTING CAPACITIES: Lifting capacities are for a crawler machine operating on a barge. Machine shall be positively secured to prevent shifting. Lifting capacities for various boom lengths and operating radii are for freely suspended loads and do not exceed 75% of a static tipping load. Capacities based on structural competence are denoted by an asterisk (*).

Upper boom point capacity for liftcrane service with single part whip line is 29,500 Lbs. or 59,000 Lbs. with two part whip line. When boom butt mounted auxiliary drum is used, capacity with single part whip line is 20,000 Lbs. or 40,000 Lbs. with two part whip line. In all cases, upper boom point capacities cannot exceed those listed for main boom capacity.

Weight of all load blocks, hooks, weight ball, slings, hoist lines, etc., beneath boom point sheaves, is considered part of main boom load. Boom is not to be lowered beyond radii where combined weights are greater than rated capacity. Where no capacity is shown, operation is not intended or approved.

OPERATING CONDITIONS: Machine to operate on a firm uniformly supporting surface and machine list not to exceed degrees noted. Refer to boom rigging No. 178288 and Wire Rope Specification chart No. 7940-A. Crane operator judgment must be used to allow for dynamic load effects of swinging, hoisting or lowering, wind conditions, as well as adverse operating conditions and physical machine depreciation. Refer to operators manual for operating guidelines.

OPERATING RADIUS: Operating radius is horizontal distance from axis of rotation at barge deck to center of vertical hoist line or load block. Boom angle is angle between horizontal and centerline of boom butt and inserts, and is an indication of operating radius. In all cases, operating radius shall govern capacity.

BOOM POINT ELEVATION: Boom point elevation is vertical distance from barge deck to centerline of boom point shaft.

MACHINE EQUIPMENT: Machine equipped with 24 Ft. 9 in. crawlers, 38 in. or 48 in. treads, two 12 in. boom hoist cylinders, 26 Ft. mast, four 1-1/4 in. boom pendants, 142,000 Lb. crane counterweight and two 22,000 Lb. carbody counterweights.

Upper Boom Point Deduct

Deduct 1,000 Lbs. from boom capacities when upper boom point is attached.

Auxiliary Drum Deduct

Deduct 1,700 Lbs. from boom capacities when boom butt is equipped with auxiliary drum.

Multi-Part Rope Guard Deduct

Deduct 500 Lbs. from boom capacities when lower boom point is equipped with multi-part rope guard (No. A02744).

Wire Rope Guide Deduct
(For Third Line)

Deduct 500 Lbs. from boom capacities when boom top wire rope guide (No. 192312) for third line is attached.

Maximum Boom Length Lifted Unassisted			
List	Over Front of Blocked Crawlers	Over Rear of Blocked Crawlers	Over Side of Crawlers
	Boom Length	Boom Length	Boom Length
0 Degree	(a) 260 Ft.	(a) 260 Ft.	(b) 230 Ft.
1 Degree	250 Ft.	250 Ft.	(b) 230 Ft.
2 Degree	250 Ft.	250 Ft.	(b) 230 Ft.
3 Degree	250 Ft.	250 Ft.	(b) 230 Ft.

Load block, hook and weight ball on barge at start. (a) Upper boom point, multi-part rope guard (No. A02744) and boom top wire rope guide (No. 192312) for third line cannot be used on 260 Ft. boom. (b) When multi-part rope guard (No. A02744) is attached to lower boom point, 230 Ft. boom cannot be lifted over side of crawlers. Jib is not to be used on crawler machine while operating on a barge.



Liftcrane Boom Capacities

777 SERIES 2

Boom No. 78
 142,000 Lb. Crane Counterweight
 44,000 Lb. Carbody Counterweight
 Crawler Machine on a Barge
 0 Degree thru 3 Degree Machine List
 No Travel - 360 Degree Rating

Oper. Radius Feet	Boom Angle Deg.	Boom Point Elev. Feet	0 Degree List Boom Capacity Pounds	1 Degree List Boom Capacity Pounds	2 Degree List Boom Capacity Pounds	3 Degree List Boom Capacity Pounds	Oper. Radius Feet
60 Ft. BOOM							
13	82.4	66.8	352.800 *				13
14	81.4	66.7	337.800 *	310.100 *			14
15	80.5	66.5	316.700 *	292.100 *	270.800 *		15
16	79.5	66.3	298.000 *	276.000 *	256.800 *	207.600 *	16
17	78.5	66.1	281.300 *	261.500 *	244.100 *	207.500 *	17
18	77.5	65.8	266.300 *	248.500 *	232.600 *	204.900 *	18
19	76.5	65.6	252.800 *	236.600 *	222.100 *	193.600 *	19
20	75.6	65.3	240.600 *	225.800 *	211.200 *	183.500 *	20
22	73.6	64.7	219.200 *	206.700 *	191.200 *	165.900 *	22
24	71.5	64.0	201.200 *	190.600 *	174.600 *	151.300 *	24
26	69.5	63.2	185.800 *	176.600 *	160.500 *	138.900 *	26
28	67.4	62.4	172.500 *	164.500 *	148.400 *	128.200 *	28
30	65.3	61.4	160.900 *	153.100 *	137.900 *	119.000 *	30
32	63.2	60.4	147.500 *	139.800 *	128.700 *	110.900 *	32
34	61.0	59.3	135.000 *	128.400 *	120.600 *	103.800 *	34
36	58.7	58.0	124.400 *	118.700 *	113.400 *	97.500 *	36
38	56.4	56.7	115.100 *	110.300 *	105.700 *	91.800 *	38
40	54.1	55.2	107.100 *	102.900 *	98.900 *	86.700 *	40
45	47.8	50.9	90.800 *	87.800 *	84.800 *	75.900 *	45
50	40.7	45.5	78.400 *	76.200 *	74.000 *	67.200 *	50
55	32.4	38.4	68.600 *	67.000 *	65.400 *	60.000 *	55
60	21.2	27.8	60.600 *	59.500 *	58.400 *	53.900 *	60
70 Ft. BOOM							
14	82.7	76.8	309.900 *				14
15	81.8	76.6	303.000 *	266.300 *			15
16	81.0	76.5	294.100 *	259.400 *	201.500 *		16
17	80.2	76.3	281.300 *	252.900 *	201.500 *		17
18	79.3	76.1	266.300 *	246.200 *	201.500 *	152.600 *	18
19	78.5	75.9	252.800 *	234.500 *	201.500 *	152.600 *	19
20	77.7	75.6	240.600 *	223.900 *	201.500 *	152.600 *	20
22	76.0	75.1	219.200 *	205.100 *	191.300 *	152.600 *	22
24	74.3	74.5	201.200 *	189.200 *	174.700 *	151.300 *	24
26	72.6	73.9	185.700 *	175.400 *	160.600 *	138.900 *	26
28	70.8	73.2	172.500 *	163.500 *	148.500 *	128.300 *	28
30	69.1	72.4	160.900 *	152.300 *	138.000 *	119.100 *	30
32	67.3	71.5	148.100 *	139.100 *	128.800 *	111.000 *	32
34	65.5	70.6	135.600 *	127.900 *	120.700 *	103.900 *	34
36	63.6	69.6	124.900 *	118.300 *	112.300 *	97.600 *	36
38	61.8	68.5	115.600 *	109.900 *	104.700 *	91.900 *	38
40	59.9	67.3	107.600 *	102.600 *	97.900 *	86.800 *	40
45	54.9	64.0	91.300 *	87.600 *	84.200 *	76.000 *	45
50	49.7	59.9	78.900 *	78.900 *	73.500 *	67.300 *	50
55	43.9	55.0	69.100 *	67.000 *	65.000 *	60.200 *	55
60	37.5	48.9	61.300 *	59.600 *	58.100 *	54.300 *	60
65	29.9	41.0	54.700 *	53.500 *	52.300 *	49.200 *	65
70	19.5	29.5	49.200 *	48.300 *	47.400 *	44.700 *	70



Liftcrane Boom Capacities

777 SERIES 2

Boom No. 78
 142,000 Lb. Crane Counterweight
 44,000 Lb. Carbody Counterweight
 Crawler Machine on a Barge
 0 Degree thru 3 Degree Machine List
 No Travel - 360 Degree Rating

Oper. Radius Feet	Boom Angle Deg.	Boom Point Elev. Feet	0 Degree List Boom Capacity Pounds	1 Degree List Boom Capacity Pounds	2 Degree List Boom Capacity Pounds	3 Degree List Boom Capacity Pounds	Oper. Radius Feet
80 Ft. BOOM							
15	82.9	86.8	275,500 *				15
16	82.1	86.6	267,600 *				16
17	81.4	86.4	259,900 *	226,200 *			17
18	80.7	86.3	252,900 *	220,900 *	195,300 *		18
19	80.0	86.1	246,200 *	215,700 *	192,300 *	148,700 *	19
20	79.2	85.9	239,900 *	210,600 *	188,300 *	148,700 *	20
22	77.8	85.4	219,000 *	201,600 *	180,900 *	148,700 *	22
24	76.3	84.9	201,000 *	187,700 *	174,000 *	148,700 *	24
26	74.8	84.4	185,600 *	174,100 *	160,500 *	138,800 *	26
28	73.3	83.8	172,300 *	162,300 *	148,400 *	128,200 *	28
30	71.8	83.1	160,700 *	151,300	137,900 *	119,000 *	30
32	70.3	82.3	148,500	138,300	128,700 *	110,900 *	32
34	68.7	81.6	135,900	127,200	119,400	103,800 *	34
36	67.2	80.7	125,200	117,700	110,900	97,500 *	36
38	65.6	79.8	115,900	109,400	103,500	91,800 *	38
40	64.0	78.8	107,800	102,100	96,900	86,700 *	40
45	59.9	76.0	91,500	87,200	83,300	75,900 *	45
50	55.6	72.7	79,100	75,800	72,800	67,300 *	50
55	51.1	68.8	69,300	66,800	64,400	60,200 *	55
60	46.2	64.2	61,500	59,500	57,600	54,300 *	60
65	40.9	58.8	55,000	53,400	51,900	49,200 *	65
70	34.9	52.1	49,500	48,300	47,000	44,900 *	70
75	27.8	43.5	44,900	43,900	42,900	41,100 *	75
80	18.2	31.0	40,800	40,000	39,300	37,700 *	80



Liftcrane Boom Capacities

777 SERIES 2

Boom No. 78
 142,000 Lb. Crane Counterweight
 44,000 Lb. Carbody Counterweight
 Crawler Machine on a Barge
 0 Degree thru 3 Degree Machine List
 No Travel - 360 Degree Rating

Oper. Radius Feet	Boom Angle Deg.	Boom Point Elev. Feet	0 Degree List Boom Capacity Pounds	1 Degree List Boom Capacity Pounds	2 Degree List Boom Capacity Pounds	3 Degree List Boom Capacity Pounds	Oper. Radius Feet
90 Ft. BOOM							
16	83.0	96.7	256.700 *				16
17	82.4	96.6	249.700 *				17
18	81.7	96.4	243.100 *	208.700 *			18
19	81.1	96.2	236.800 *	204.100 *			19
20	80.4	96.1	230.700 *	199.600 *	176.200 *		20
22	79.1	95.7	218.800 *	191.200 *	169.500 *	148.000 *	22
24	77.8	95.2	200.800 *	183.300 *	163.300 *	147.400 *	24
26	76.5	94.7	185.400 *	172.700 *	157.400 *	138.600 *	26
28	75.2	94.2	172.100 *	161.000 *	148.200 *	128.000 *	28
30	73.9	93.6	160.500 *	150.000	137.700 *	118.800 *	30
32	72.5	93.0	148.500	137.200	127.300	110.800 *	32
34	71.2	92.3	135.900	126.300	117.800	103.700 *	34
36	69.8	91.5	125.200	116.900	109.400	97.300 *	36
38	68.5	90.7	115.900	108.700	102.100	91.700 *	38
40	67.1	89.9	107.800	101.500	95.700	86.600 *	40
45	63.6	87.5	91.500	86.800	82.400	75.800 *	45
50	59.9	84.7	79.100	75.500	72.100	67.200 *	50
55	56.1	81.4	69.400	66.500	63.800	60.100 *	55
60	52.1	77.7	61.600	59.300	57.100	54.200 *	60
65	47.9	73.3	55.100	53.200	51.400	49.200 *	65
70	43.4	68.2	49.700	48.200	46.700	44.900 *	70
75	38.4	62.3	45.100	43.800	42.600	41.200 *	75
80	32.8	55.0	41.100	40.100	39.100	37.900 *	80
85	26.1	45.8	37.600	36.700	35.900	35.000 *	85
90	17.1	32.5	34.400	33.800	33.200	32.300 *	90



Liftcrane Boom Capacities

777 SERIES 2

Boom No. 78
 142,000 Lb. Crane Counterweight
 44,000 Lb. Carbody Counterweight
 Crawler Machine on a Barge
 0 Degree thru 3 Degree Machine List
 No Travel - 360 Degree Rating

Oper. Radius Feet	Boom Angle Deg.	Boom Point Elev. Feet	0 Degree List Boom Capacity Pounds	1 Degree List Boom Capacity Pounds	2 Degree List Boom Capacity Pounds	3 Degree List Boom Capacity Pounds	Oper. Radius Feet
100 Ft. BOOM							
18	82.6	106.5	221,400 *				18
19	82.0	106.4	215,900 *	183,300 *			19
20	81.4	106.2	210,700 *	179,500 *			20
22	80.2	105.9	200,800 *	172,300 *	151,100 *		22
24	79.1	105.5	191,700 *	165,500 *	145,900 *	130,500 *	24
26	77.9	105.0	183,300 *	159,300 *	140,900 *	126,500 *	26
28	76.7	104.5	171,800 *	153,400 *	136,300 *	122,600 *	28
30	75.5	104.0	160,200 *	147,800 *	131,900 *	118,600 *	30
32	74.4	103.4	148,600	136,200	125,500	110,500 *	32
34	73.2	102.8	136,000	125,400	116,100	103,400 *	34
36	71.9	102.2	125,200	116,100	108,000	97,100 *	36
38	70.7	101.5	115,900	108,000	100,800	91,400 *	38
40	69.5	100.7	107,800	100,800	94,500	86,300 *	40
45	66.4	98.6	91,500	86,200	81,400	75,600 *	45
50	63.2	96.1	79,100	75,000	71,300	66,900 *	50
55	59.9	93.3	69,300	66,100	63,100	59,900 *	55
60	56.5	90.1	61,500	58,900	56,400	54,000 *	60
65	53.0	86.4	55,000	52,900	50,900	48,900	65
70	49.2	82.3	49,600	47,800	46,100	44,500	70
75	45.3	77.5	45,000	43,500	42,100	40,700	75
80	41.0	72.0	41,000	39,800	38,600	37,400	80
85	36.3	65.5	37,500	36,500	35,500	34,500	85
90	31.0	57.8	34,500	33,600	32,800	32,000	90
95	24.7	48.0	31,700	31,000	30,400	29,700	95
100	16.1	33.9	29,200	28,700	28,200	27,700 *	100



Liftcrane Boom Capacities

777 SERIES 2

Boom No. 78
 142,000 Lb. Crane Counterweight
 44,000 Lb. Carbody Counterweight
 Crawler Machine on a Barge
 0 Degree thru 3 Degree Machine List
 No Travel - 360 Degree Rating

Oper. Radius Feet	Boom Angle Deg.	Boom Point Elev. Feet	0 Degree List Boom Capacity Pounds	1 Degree List Boom Capacity Pounds	2 Degree List Boom Capacity Pounds	3 Degree List Boom Capacity Pounds	Oper. Radius Feet
110 Ft. BOOM							
19	82.7	116.5	211.100 *				19
20	82.2	116.3	205.700 *				20
22	81.1	116.0	195.600 *	167.600 *			22
24	80.1	115.7	186.300 *	160.700 *	140.800 *		24
26	79.0	115.3	177.600 *	154.300 *	136.200 *	121.300 *	26
28	78.0	114.8	167.700 *	148.300 *	131.800 *	117.800 *	28
30	76.9	114.4	156.600 *	142.700 *	127.300 *	114.500 *	30
32	75.8	113.8	147.100 *	135.200	123.000 *	110.400 *	32
34	74.7	113.3	136.000	124.500	114.600	103.300 *	34
36	73.6	112.7	125.300	115.300	106.600	96.900 *	36
38	72.5	112.0	116.000	107.300	99.600	91.300 *	38
40	71.4	111.4	107.900	100.200	93.400	86.200 *	40
45	68.7	109.5	91.500	85.700	80.600	75.400 *	45
50	65.8	107.3	79.100	74.600	70.500	66.800 *	50
55	62.9	104.8	69.300	65.800	62.500	59.400	55
60	59.9	102.0	61.500	58.600	55.900	53.400	60
65	56.8	98.8	55.000	52.600	50.400	48.300	65
70	53.6	95.2	49.600	47.600	45.700	43.900	70
75	50.3	91.2	45.000	43.300	41.700	40.200	75
80	46.8	86.6	41.000	39.600	38.300	36.900	80
85	43.0	81.5	37.600	36.400	35.200	34.100	85
90	39.0	75.6	34.500	33.500	32.500	31.500	90
95	34.5	68.7	31.800	31.000	30.100	29.300	95
100	29.5	60.4	29.400	28.700	27.900	27.200	100
105	23.5	50.0	27.200	26.600	26.000	25.400	105
110	15.3	35.2	25.200	24.700	24.200	23.800	110



Liftcrane Boom Capacities

777 SERIES 2

Boom No. 78
 142,000 Lb. Crane Counterweight
 44,000 Lb. Carbody Counterweight
 Crawler Machine on a Barge
 0 Degree thru 3 Degree Machine List
 No Travel - 360 Degree Rating

Oper. Radius Feet	Boom Angle Deg.	Boom Point Elev. Feet	0 Degree List Boom Capacity Pounds	1 Degree List Boom Capacity Pounds	2 Degree List Boom Capacity Pounds	3 Degree List Boom Capacity Pounds	Oper. Radius Feet
120 Ft. BOOM							
20	82.9	126.4	192,200 *				20
22	81.9	126.2	183,700 *	153,500 *			22
24	80.9	125.8	175,900 *	148,000 *	128,000 *		24
26	79.9	125.5	168,600 *	142,800 *	124,000 *	109,600 *	26
28	79.0	125.1	161,800 *	137,900 *	120,200 *	106,600 *	28
30	78.0	124.6	152,200 *	133,200 *	116,600 *	103,700 *	30
32	77.0	124.2	142,800 *	128,800 *	113,200 *	101,000 *	32
34	76.0	123.6	134,700 *	123,700	110,000 *	98,300 *	34
36	75.0	123.1	125,400	114,600	105,300	95,700 *	36
38	74.0	122.5	116,000	106,600	98,400	91,200 *	38
40	73.0	121.9	107,900	99,600	92,300	85,900	40
45	70.5	120.2	91,500	85,300	79,700	74,700	45
50	68.0	118.2	79,100	74,300	69,900	65,800	50
55	65.3	116.0	69,300	65,500	61,900	58,600	55
60	62.7	113.5	61,500	58,300	55,400	52,700	60
65	59.9	110.6	55,000	52,400	50,000	47,700	65
70	57.1	107.5	49,600	47,400	45,400	43,400	70
75	54.2	104.0	45,000	43,100	41,400	39,700	75
80	51.2	100.0	41,000	39,400	37,900	36,500	80
85	48.0	95.7	37,600	36,200	34,900	33,700	85
90	44.6	90.8	34,500	33,400	32,200	31,200	90
95	41.1	85.2	31,800	30,800	29,900	28,900	95
100	37.2	78.9	29,400	28,600	27,700	26,900	100
105	33.0	71.6	27,300	26,500	25,800	25,100	105
110	28.2	62.9	25,300	24,700	24,000	23,400	110
115	22.5	52.0	23,500	23,000	22,500	21,900	115



Liftcrane Boom Capacities

777 SERIES 2

Boom No. 78
 142,000 Lb. Crane Counterweight
 44,000 Lb. Carbody Counterweight
 Crawler Machine on a Barge
 0 Degree thru 3 Degree Machine List
 No Travel - 360 Degree Rating

Oper. Radius Feet	Boom Angle Deg.	Boom Point Elev. Feet	0 Degree List Boom Capacity Pounds	1 Degree List Boom Capacity Pounds	2 Degree List Boom Capacity Pounds	3 Degree List Boom Capacity Pounds	Oper. Radius Feet
130 Ft. BOOM							
22	82.5	136.3	176.100 *				22
24	81.6	136.0	168.300 *	141.500 *			24
26	80.7	135.6	161.100 *	136.600 *	117.900 *		26
28	79.8	135.3	154.400 *	131.700 *	114.500 *	101.000 *	28
30	78.9	134.9	148.100 *	127.100 *	111.200 *	98.300 *	30
32	78.0	134.4	139.100 *	122.800 *	108.100 *	95.800 *	32
34	77.1	134.0	131.100 *	118.600 *	104.800 *	93.400 *	34
36	76.2	133.5	124.000 *	113.800	101.700 *	91.100 *	36
38	75.3	132.9	116.000	105.900	97.200	88.800 *	38
40	74.4	132.4	107.800	98.900	91.200	84.400	40
45	72.1	130.8	91.400	84.700	78.800	73.500	45
50	69.7	129.0	79.000	73.800	69.100	64.800	50
55	67.4	127.0	69.200	65.000	61.200	57.700	55
60	64.9	124.7	61.400	57.900	54.800	51.900	60
65	62.5	122.1	54.900	52.100	49.400	47.000	65
70	59.9	119.3	49.500	47.100	44.900	42.800	70
75	57.3	116.2	44.900	42.800	40.900	39.100	75
80	54.7	112.7	40.900	39.200	37.500	36.000	80
85	51.9	108.9	37.400	35.900	34.500	33.200	85
90	49.0	104.6	34.400	33.100	31.900	30.700	90
95	46.0	99.9	31.700	30.600	29.500	28.500	95
100	42.8	94.7	29.300	28.300	27.400	26.500	100
105	39.4	88.8	27.200	26.300	25.500	24.700	105
110	35.7	82.1	25.200	24.500	23.700	23.000	110
115	31.6	74.4	23.400	22.800	22.200	21.500	115
120	27.0	65.3	21.800	21.300	20.700	20.200	120
125	21.5	53.8	20.300	19.800	19.400	18.900	125



Liftcrane Boom Capacities

777 SERIES 2

Boom No. 78
 142,000 Lb. Crane Counterweight
 44,000 Lb. Carbody Counterweight
 Crawler Machine on a Barge
 0 Degree thru 3 Degree Machine List
 No Travel - 360 Degree Rating

Oper. Radius Feet	Boom Angle Deg.	Boom Point Elev. Feet	0 Degree List Boom Capacity Pounds	1 Degree List Boom Capacity Pounds	2 Degree List Boom Capacity Pounds	3 Degree List Boom Capacity Pounds	Oper. Radius Feet
140 Ft. BOOM							
24	82.2	146.1	157,900 *				24
26	81.4	145.8	151,800 *	125,600 *			26
28	80.6	145.4	146,000 *	121,600 *	104,300 *		28
30	79.7	145.1	140,600 *	117,800 *	101,400 *	89,100 *	30
32	78.9	144.7	135,400 *	114,100 *	98,700 *	86,900 *	32
34	78.1	144.2	127,500 *	110,700 *	96,000 *	84,700 *	34
36	77.2	143.8	120,500 *	107,400 *	93,500 *	82,700 *	36
38	76.4	143.3	114,300 *	104,100 *	91,000 *	80,700 *	38
40	75.5	142.7	107,700	98,200	88,700 *	78,800 *	40
45	73.4	141.3	91,300	84,100	77,800	72,200	45
50	71.3	139.6	78,800	73,200	68,200	63,700	50
55	69.1	137.8	69,000	64,500	60,500	56,800	55
60	66.8	135.7	61,100	57,500	54,100	51,000	60
65	64.6	133.4	54,600	51,600	48,800	46,200	65
70	62.3	130.8	49,200	46,600	44,200	42,000	70
75	59.9	128.0	44,600	42,400	40,300	38,400	75
80	57.5	124.8	40,600	38,700	37,000	35,300	80
85	55.0	121.4	37,200	35,500	34,000	32,500	85
90	52.5	117.7	34,100	32,700	31,300	30,100	90
95	49.8	113.6	31,400	30,200	29,000	27,900	95
100	47.1	109.0	29,000	27,900	26,900	25,900	100
105	44.2	104.0	26,900	25,900	25,000	24,100	105
110	41.1	98.5	25,000	24,100	23,300	22,500	110
115	37.9	92.3	23,200	22,400	21,700	21,000	115
120	34.3	85.2	21,600	20,900	20,300	19,600	120
125	30.4	77.2	20,100	19,500	18,900	18,400	125
130	26.0	67.6	18,700	18,200	17,700	17,200	130
135	20.7	55.6	17,400	17,000	16,600	16,200	135



Liftcrane Boom Capacities

777 SERIES 2

Boom No. 78
 142,000 Lb. Crane Counterweight
 44,000 Lb. Carbody Counterweight
 Crawler Machine on a Barge
 0 Degree thru 3 Degree Machine List
 No Travel - 360 Degree Rating

Oper. Radius Feet	Boom Angle Deg.	Boom Point Elev. Feet	0 Degree List Boom Capacity Pounds	1 Degree List Boom Capacity Pounds	2 Degree List Boom Capacity Pounds	3 Degree List Boom Capacity Pounds	Oper. Radius Feet
150 Ft. BOOM							
24	82.8	156.2	152,500 *				24
26	82.0	155.9	146,300 *	121,000 *			26
28	81.2	155.6	140,500 *	117,000 *			28
30	80.4	155.2	135,000 *	113,100 *	97,500 *		30
32	79.7	154.9	129,900 *	109,500 *	94,700 *	83,500 *	32
34	78.9	154.5	124,200 *	106,000 *	92,100 *	81,300 *	34
36	78.1	154.0	117,300 *	102,700 *	89,500 *	79,300 *	36
38	77.3	153.6	111,300 *	99,500 *	87,000 *	77,300 *	38
40	76.5	153.1	105,800 *	96,500 *	84,600 *	75,300 *	40
45	74.5	151.7	91,100	83,500	76,800	70,800 *	45
50	72.5	150.2	78,600	72,600	67,400	62,600	50
55	70.5	148.5	68,800	64,000	59,700	55,900	55
60	68.5	146.5	60,900	57,000	53,500	50,200	60
65	66.4	144.4	54,400	51,200	48,200	45,400	65
70	64.3	142.0	49,000	46,300	43,700	41,300	70
75	62.1	139.5	44,400	42,000	39,800	37,800	75
80	59.9	136.6	40,400	38,400	36,500	34,700	80
85	57.7	133.5	37,000	35,200	33,500	32,000	85
90	55.4	130.1	33,900	32,400	30,900	29,500	90
95	53.0	126.4	31,200	29,900	28,600	27,400	95
100	50.6	122.4	28,800	27,600	26,500	25,400	100
105	48.0	118.0	26,700	25,600	24,600	23,600	105
110	45.4	113.2	24,800	23,800	22,900	22,000	110
115	42.6	107.9	23,000	22,200	21,300	20,600	115
120	39.7	102.1	21,400	20,600	19,900	19,200	120
125	36.5	95.6	19,900	19,200	18,600	18,000	125
130	33.1	88.2	18,600	18,000	17,400	16,800	130
135	29.4	79.8	17,300	16,800	16,300	15,800	135
140	25.1	69.8	16,100	15,700	15,200	14,800	140
145	20.0	57.4	15,000	14,600	14,200	13,900	145



Liftcrane Boom Capacities

777 SERIES 2

Boom No. 78
 142,000 Lb. Crane Counterweight
 44,000 Lb. Carbody Counterweight
 Crawler Machine on a Barge
 0 Degree thru 3 Degree Machine List
 No Travel - 360 Degree Rating

Oper. Radius Feet	Boom Angle Deg.	Boom Point Elev. Feet	0 Degree List Boom Capacity Pounds	1 Degree List Boom Capacity Pounds	2 Degree List Boom Capacity Pounds	3 Degree List Boom Capacity Pounds	Oper. Radius Feet
160 Ft. BOOM							
26	82.5	166.0	139,000 *				26
28	81.8	165.7	133,400 *	109,800 *			28
30	81.0	165.4	128,100 *	106,600 *	90,600 *		30
32	80.3	165.0	123,100 *	103,500 *	88,300 *		32
34	79.6	164.7	118,400 *	100,500 *	86,100 *	75,200 *	34
36	78.8	164.3	114,000 *	97,400 *	83,900 *	73,400 *	36
38	78.1	163.8	108,500 *	94,300 *	81,800 *	71,800 *	38
40	77.4	163.4	103,200 *	91,400 *	79,800 *	70,200 *	40
45	75.5	162.1	91,000	82,900	74,900 *	66,400 *	45
50	73.7	160.7	78,500	72,200	66,600	61,700	50
55	71.8	159.1	68,700	63,600	59,100	55,000	55
60	69.9	157.3	60,800	56,600	52,900	49,500	60
65	68.0	155.3	54,300	50,800	47,700	44,800	65
70	66.0	153.1	48,900	45,900	43,200	40,700	70
75	64.0	150.7	44,200	41,700	39,400	37,200	75
80	62.0	148.1	40,300	38,100	36,100	34,200	80
85	59.9	145.3	36,800	34,900	33,100	31,500	85
90	57.8	142.2	33,800	32,100	30,600	29,100	90
95	55.7	138.8	31,100	29,600	28,200	26,900	95
100	53.5	135.2	28,700	27,400	26,200	25,000	100
105	51.2	131.3	26,500	25,400	24,300	23,200	105
110	48.8	127.0	24,600	23,600	22,600	21,600	110
115	46.4	122.3	22,800	21,900	21,000	20,200	115
120	43.8	117.3	21,200	20,400	19,600	18,800	120
125	41.2	111.7	19,800	19,000	18,300	17,600	125
130	38.3	105.6	18,400	17,800	17,100	16,500	130
135	35.3	98.7	17,200	16,600	16,000	15,400	135
140	32.0	91.1	16,000	15,500	15,000	14,500	140
145	28.4	82.3	14,900	14,500	14,000	13,500	145
150	24.3	71.9	13,900	13,500	13,100	12,700	150
155	19.3	59.1	12,900	12,600	12,200	11,900	155



Liftcrane Boom Capacities

777 SERIES 2

Boom No. 78
 142,000 Lb. Crane Counterweight
 44,000 Lb. Carbody Counterweight
 Crawler Machine on a Barge
 0 Degree thru 3 Degree Machine List
 No Travel - 360 Degree Rating

Oper. Radius Feet	Boom Angle Deg.	Boom Point Elev. Feet	0 Degree List Boom Capacity Pounds	1 Degree List Boom Capacity Pounds	2 Degree List Boom Capacity Pounds	3 Degree List Boom Capacity Pounds	Oper. Radius Feet
170 Ft. BOOM							
26	82.9	176.1	133.600 *				26
28	82.2	175.8	128.200 *				28
30	81.6	175.5	123.000 *	102.000 *			30
32	80.9	175.2	118.100 *	98.900 *	84,500 *		32
34	80.2	174.8	113.400 *	95.900 *	82,200 *		34
36	79.5	174.5	109.100 *	93.000 *	80,100 *	70,200 *	36
38	78.8	174.0	105.000 *	90.100 *	78,000 *	68,500 *	38
40	78.1	173.6	100.500 *	87.200 *	75,900 *	66,900 *	40
45	76.4	172.4	89.400 *	80.500 *	71,200 *	63,000 *	45
50	74.7	171.1	78.300	71.600	65,800	59,400 *	50
55	72.9	169.6	68.500	63.100	58,400	54,100	55
60	71.1	167.9	60.600	56.200	52,200	48,700	60
65	69.3	166.1	54.100	50.400	47,100	44,000	65
70	67.5	164.0	48.600	45.500	42,700	40,100	70
75	65.7	161.8	44.000	41.300	38,900	36,600	75
80	63.8	159.4	40.000	37.700	35,600	33,600	80
85	61.9	156.8	36.600	34.500	32,700	30,900	85
90	59.9	153.9	33.500	31.800	30,100	28,500	90
95	58.0	150.9	30.800	29.300	27,800	26,400	95
100	55.9	147.5	28.400	27.100	25,700	24,500	100
105	53.9	144.0	26.300	25.100	23,900	22,800	105
110	51.7	140.1	24.400	23.200	22,200	21,200	110
115	49.5	135.9	22.600	21.600	20,600	19,700	115
120	47.3	131.4	21.000	20.100	19,200	18,400	120
125	44.9	126.5	19.500	18.700	17,900	17,200	125
130	42.5	121.2	18.200	17.500	16,700	16,100	130
135	39.9	115.3	16.900	16.300	15,600	15,000	135
140	37.1	108.9	15.800	15.200	14,600	14,000	140
145	34.2	101.8	14.700	14.200	13,700	13,100	145
150	31.0	93.8	13.700	13.200	12,800	12,300	150
155	27.5	84.7	12.800	12.300	11,900	11,500	155
160	23.5	74.0	11.900	11.500	11,100	10,800	160
165	18.7	60.7	11.000	10.700	10,400	10,100	165



Liftcrane Boom Capacities

777 SERIES 2

Boom No. 78
142,000 Lb. Crane Counterweight
44,000 Lb. Carbody Counterweight
Crawler Machine on a Barge
0 Degree thru 3 Degree Machine List
No Travel - 360 Degree Rating

Oper. Radius Feet	Boom Angle Deg.	Boom Point Elev. Feet	0 Degree List Boom Capacity Pounds	1 Degree List Boom Capacity Pounds	2 Degree List Boom Capacity Pounds	3 Degree List Boom Capacity Pounds	Oper. Radius Feet
180 Ft. BOOM							
28	82.7	185.9	122,000 *				28
30	82.0	185.6	117,400 *	95,400 *			30
32	81.4	185.3	113,000 *	92,700 *			32
34	80.7	185.0	108,800 *	90,200 *	76,200 *		34
36	80.1	184.6	104,700 *	87,700 *	74,300 *		36
38	79.5	184.2	100,600 *	85,200 *	72,600 *	62,900 *	38
40	78.8	183.8	96,800 *	82,700 *	70,900 *	61,600 *	40
45	77.2	182.7	87,100 *	76,700 *	66,800 *	58,400 *	45
50	75.5	181.5	78,000	71,000	62,700 *	55,400 *	50
55	73.9	180.1	68,200	62,500	57,600	52,400 *	55
60	72.2	178.5	60,300	55,600	51,500	47,800	60
65	70.5	176.8	53,800	49,900	46,400	43,200	65
70	68.8	174.9	48,300	45,000	42,000	39,300	70
75	67.1	172.8	43,700	40,900	38,300	35,900	75
80	65.4	170.5	39,700	37,300	35,000	32,900	80
85	63.6	168.1	36,200	34,100	32,100	30,300	85
90	61.8	165.4	33,200	31,300	29,600	27,900	90
95	60.0	162.6	30,500	28,800	27,300	25,800	95
100	58.1	159.5	28,100	26,600	25,200	23,900	100
105	56.2	156.2	25,900	24,600	23,400	22,200	105
110	54.2	152.7	24,000	22,800	21,700	20,600	110
115	52.2	148.9	22,300	21,200	20,200	19,200	115
120	50.2	144.8	20,600	19,700	18,800	17,900	120
125	48.1	140.4	19,200	18,300	17,500	16,700	125
130	45.9	135.6	17,800	17,000	16,300	15,500	130
135	43.6	130.5	16,600	15,900	15,200	14,500	135
140	41.2	124.9	15,400	14,800	14,100	13,500	140
145	38.7	118.8	14,400	13,800	13,200	12,600	145
150	36.0	112.2	13,400	12,800	12,300	11,800	150
155	33.2	104.8	12,400	11,900	11,500	11,000	155
160	30.1	96.5	11,600	11,100	10,700	10,300	160
165	26.7	87.1	10,700	10,300	9,900	9,600	165
170	22.8	76.0	9,900	9,600	9,300	8,900	170
175	18.2	62.3	9,200	8,900	8,600	8,300	175



Liftcrane Boom Capacities

777 SERIES 2

Boom No. 78
 142,000 Lb. Crane Counterweight
 44,000 Lb. Carbody Counterweight
 Crawler Machine on a Barge
 0 Degree thru 3 Degree Machine List
 No Travel - 360 Degree Rating

Oper. Radius Feet	Boom Angle Deg.	Boom Point Elev. Feet	0 Degree List Boom Capacity Pounds	1 Degree List Boom Capacity Pounds	2 Degree List Boom Capacity Pounds	3 Degree List Boom Capacity Pounds	Oper. Radius Feet
190 Ft. BOOM							
30	82.5	195.7	116.600 *				30
32	81.9	195.4	113.200 *	90.700 *			32
34	81.2	195.1	109.900 *	88.400 *			34
36	80.6	194.8	106.500 *	86.300 *	72.500 *		36
38	80.0	194.4	101.200 *	84.200 *	70.900 *	61.200 *	38
40	79.4	194.0	96.000 *	82.100 *	69.400 *	59.900 *	40
45	77.9	193.0	85.200 *	77.300 *	65.700 *	57.000 *	45
50	76.3	191.8	76.500 *	70.200 *	62.300 *	54.200 *	50
55	74.8	190.5	67.700 *	61.800 *	56.600 *	51.600 *	55
60	73.2	189.0	59.800 *	54.900 *	50.600 *	46.700 *	60
65	71.6	187.4	53.300	49.200	45.500	42.300	65
70	70.0	185.6	47.800	44.400	41.200	38.400	70
75	68.4	183.6	43.200	40.200	37.500	35.000	75
80	66.7	181.5	39.200	36.600	34.200	32.100	80
85	65.1	179.2	35.700	33.500	31.400	29.500	85
90	63.4	176.8	32.700	30.700	28.800	27.100	90
95	61.7	174.1	30.000	28.200	26.600	25.000	95
100	60.0	171.3	27.600	26.000	24.500	23.200	100
105	58.2	168.2	25.400	24.000	22.700	21.400	105
110	56.4	164.9	23.500	22.200	21.000	19.900	110
115	54.5	161.4	21.700	20.600	19.500	18.500	115
120	52.7	157.7	20.100	19.100	18.100	17.200	120
125	50.7	153.7	18.700	17.700	16.800	16.000	125
130	48.7	149.4	17.300	16.500	15.600	14.800	130
135	46.7	144.7	16.100	15.300	14.500	13.800	135
140	44.6	139.8	14.900	14.200	13.500	12.900	140
145	42.3	134.4	13.800	13.200	12.600	12.000	145
150	40.0	128.6	12.800	12.300	11.700	11.100	150
155	37.6	122.3	11.900	11.400	10.800	10.300	155
160	35.0	115.3	11.000	10.500	10.100	9.600	160
165	32.3	107.7	10.200	9.800	9.300	8.900	165
170	29.3	99.1	9.400	9.000	8.600	8.300	170
175	26.0	89.4	8.700	8.400	8.000	7.600	175
180	22.2	77.9	8.000	7.700	7.400	7.100	180
185	17.7	63.8	7.300	7.100	6.800	6.500	185



Liftcrane Boom Capacities

777 SERIES 2

Boom No. 78
 142,000 Lb. Crane Counterweight
 44,000 Lb. Carbody Counterweight
 Crawler Machine on a Barge
 0 Degree thru 3 Degree Machine List
 No Travel - 360 Degree Rating

Oper. Radius Feet	Boom Angle Deg.	Boom Point Elev. Feet	0 Degree List Boom Capacity Pounds	1 Degree List Boom Capacity Pounds	2 Degree List Boom Capacity Pounds	3 Degree List Boom Capacity Pounds	Oper. Radius Feet
200 Ft. BOOM							
30	82.8	205.8	109,700 *				30
32	82.3	205.5	106,300 *				32
34	81.7	205.2	103,000 *	83,200 *			34
36	81.1	204.9	99,900 *	81,100 *			36
38	80.5	204.6	96,900 *	78,900 *	66,200 *		38
40	79.9	204.2	93,400 *	76,900 *	64,800 *	55,500 *	40
45	78.5	203.2	82,700 *	72,100 *	61,400 *	52,900 *	45
50	77.0	202.1	74,300 *	67,700 *	58,000 *	50,400 *	50
55	75.5	200.8	67,400 *	61,300	54,800 *	48,000 *	55
60	74.0	199.4	59,600	54,500	50,000	45,400 *	60
65	72.5	197.9	53,100	48,800	45,000	41,600	65
70	71.0	196.2	47,600	44,000	40,700	37,700	70
75	69.5	194.4	42,900	39,800	37,000	34,400	75
80	68.0	192.4	39,000	36,200	33,800	31,500	80
85	66.4	190.2	35,500	33,100	30,900	28,900	85
90	64.8	187.9	32,400	30,300	28,400	26,600	90
95	63.2	185.4	29,700	27,900	26,200	24,600	95
100	61.6	182.8	27,300	25,700	24,100	22,700	100
105	60.0	179.9	25,200	23,700	22,300	21,000	105
110	58.3	176.9	23,200	21,900	20,600	19,500	110
115	56.6	173.6	21,500	20,300	19,100	18,000	115
120	54.8	170.2	19,900	18,800	17,700	16,700	120
125	53.0	166.5	18,400	17,400	16,500	15,500	125
130	51.2	162.5	17,100	16,100	15,300	14,400	130
135	49.3	158.3	15,800	15,000	14,200	13,400	135
140	47.4	153.8	14,700	13,900	13,200	12,500	140
145	45.4	148.9	13,600	12,900	12,200	11,600	145
150	43.4	143.7	12,600	12,000	11,300	10,700	150
155	41.2	138.2	11,700	11,100	10,500	10,000	155
160	39.0	132.1	10,800	10,300	9,700	9,200	160
165	36.6	125.6	10,000	9,500	9,000	8,500	165
170	34.1	118.4	9,200	8,800	8,300	7,900	170
175	31.4	110.5	8,500	8,100	7,700	7,300	175
180	28.5	101.7	7,800	7,400	7,100	6,700	180
185	25.3	91.6	7,200	6,800	6,500	6,200	185
190	21.6	79.8	6,500	6,200	5,900	5,600	190
195	17.2	65.3	5,900	5,700	5,400	5,100	195



Liftcrane Boom Capacities

777 SERIES 2

Boom No. 78
 142,000 Lb. Crane Counterweight
 44,000 Lb. Carbody Counterweight
 Crawler Machine on a Barge
 0 Degree thru 3 Degree Machine List
 No Travel - 360 Degree Rating

Oper. Radius Feet	Boom Angle Deg.	Boom Point Elev. Feet	0 Degree List Boom Capacity Pounds	1 Degree List Boom Capacity Pounds	2 Degree List Boom Capacity Pounds	3 Degree List Boom Capacity Pounds	Oper. Radius Feet
210 Ft. BOOM							
32	82.6	215.6	105.700 *				32
34	82.1	215.4	102.700 *				34
36	81.5	215.1	98.200 *	86.600 *			36
38	81.0	214.7	94.300 *	83.200 *	69.700 *		38
40	80.4	214.4	89.700 *	79.600 *	68.600 *		40
45	79.0	213.4	80.100 *	72.000 *	65.100 *	55.900 *	45
50	77.6	212.4	72.500 *	65.800 *	60.100 *	53.900 *	50
55	76.2	211.2	65.800 *	60.200 *	55.200	50.300	55
60	74.8	209.8	59.300	54.000	49.300	45.200	60
65	73.4	208.4	52.800	48.300	44.400	40.800	65
70	72.0	206.8	47.300	43.500	40.100	37.100	70
75	70.5	205.0	42.700	39.400	36.500	33.800	75
80	69.1	203.2	38.700	35.900	33.300	30.900	80
85	67.6	201.1	35.200	32.800	30.500	28.400	85
90	66.1	198.9	32.200	30.000	28.000	26.100	90
95	64.6	196.6	29.500	27.500	25.700	24.100	95
100	63.1	194.1	27.100	25.400	23.700	22.200	100
105	61.5	191.4	24.900	23.400	21.900	20.500	105
110	60.0	188.6	23.000	21.600	20.300	19.000	110
115	58.4	185.5	21.200	20.000	18.800	17.600	115
120	56.7	182.3	19.600	18.500	17.400	16.300	120
125	55.1	178.9	18.200	17.100	16.100	15.200	125
130	53.4	175.2	16.800	15.900	14.900	14.100	130
135	51.7	171.3	15.600	14.700	13.800	13.000	135
140	49.9	167.2	14.400	13.600	12.800	12.100	140
145	48.1	162.8	13.400	12.600	11.900	11.200	145
150	46.2	158.0	12.400	11.700	11.000	10.400	150
155	44.3	153.0	11.400	10.800	10.200	9.600	155
160	42.3	147.6	10.600	10.000	9.400	8.900	160
165	40.2	141.8	9.800	9.200	8.700	8.200	165
170	38.0	135.6	9.000	8.500	8.000	7.600	170
175	35.7	128.8	8.300	7.800	7.400	7.000	175
180	33.2	121.4	7.600	7.200	6.800	6.400	180
185	30.6	113.2	7.000	6.600	6.200	5.800	185
190	27.8	104.1	6.300	6.000	5.700	5.300	190
195	24.7	93.8	5.800	5.400	5.100	4.800	195
200	21.1	81.7	5.200	4.900	4.600	4.400	200
205	16.8	66.7	4.600	4.400	4.200		205



Liftcrane Boom Capacities

777 SERIES 2

Boom No. 78
 142,000 Lb. Crane Counterweight
 44,000 Lb. Carbody Counterweight
 Crawler Machine on a Barge
 0 Degree thru 3 Degree Machine List
 No Travel - 360 Degree Rating

Oper. Radius Feet	Boom Angle Deg.	Boom Point Elev. Feet	0 Degree List Boom Capacity Pounds	1 Degree List Boom Capacity Pounds	2 Degree List Boom Capacity Pounds	3 Degree List Boom Capacity Pounds	Oper. Radius Feet
220 Ft. BOOM							
32	83.0	225.7	105,100 *				32
34	82.4	225.5	102,400 *				34
36	81.9	225.2	96,600 *	77,700 *			36
38	81.4	224.9	91,500 *	76,300 *			38
40	80.9	224.5	86,900 *	74,800 *	61,200 *		40
45	79.5	223.6	77,500 *	69,200 *	58,600 *	49,500 *	45
50	78.2	222.6	70,000 *	63,200 *	56,200 *	47,600 *	50
55	76.9	221.5	63,700 *	58,000 *	53,000 *	45,800 *	55
60	75.5	220.2	58,100 *	53,200 *	48,600	44,000 *	60
65	74.2	218.8	52,500	47,800	43,700	40,100	65
70	72.8	217.3	47,000	43,100	39,500	36,400	70
75	71.4	215.6	42,400	39,000	35,900	33,100	75
80	70.1	213.9	38,400	35,400	32,700	30,300	80
85	68.7	211.9	34,900	32,300	29,900	27,700	85
90	67.3	209.9	31,800	29,500	27,400	25,500	90
95	65.8	207.7	29,100	27,100	25,200	23,500	95
100	64.4	205.3	26,700	24,900	23,200	21,600	100
105	62.9	202.8	24,600	22,900	21,400	20,000	105
110	61.5	200.1	22,600	21,100	19,800	18,500	110
115	60.0	197.2	20,900	19,500	18,300	17,100	115
120	58.4	194.2	19,300	18,000	16,900	15,800	120
125	56.9	191.0	17,800	16,700	15,600	14,600	125
130	55.3	187.6	16,400	15,400	14,400	13,500	130
135	53.7	184.0	15,200	14,300	13,400	12,500	135
140	52.1	180.1	14,000	13,200	12,400	11,600	140
145	50.4	176.0	13,000	12,200	11,400	10,700	145
150	48.7	171.7	12,000	11,200	10,500	9,900	150
155	46.9	167.1	11,100	10,400	9,700	9,100	155
160	45.1	162.2	10,200	9,600	9,000	8,400	160
165	43.2	157.0	9,400	8,800	8,200	7,700	165
170	41.2	151.4	8,600	8,100	7,600	7,100	170
175	39.2	145.4	7,900	7,400	6,900	6,500	175
180	37.1	138.9	7,200	6,800	6,300	5,900	180
185	34.8	131.9	6,600	6,100	5,700	5,300	185
190	32.4	124.3	6,000	5,600	5,200	4,800	190
195	29.9	115.9	5,400	5,000	4,700	4,300	195
200	27.1	106.5	4,800	4,500	4,200		200
205	24.1	95.9	4,300	4,000			205



Liftcrane Boom Capacities

777 SERIES 2

Boom No. 78
 142,000 Lb. Crane Counterweight
 44,000 Lb. Carbody Counterweight
 Crawler Machine on a Barge
 0 Degree thru 3 Degree Machine List
 No Travel - 360 Degree Rating

Oper. Radius Feet	Boom Angle Deg.	Boom Point Elev. Feet	0 Degree List Boom Capacity Pounds	1 Degree List Boom Capacity Pounds	2 Degree List Boom Capacity Pounds	3 Degree List Boom Capacity Pounds	Oper. Radius Feet
230 Ft. BOOM							
34	82.8	235.6	97,100 *				34
36	82.3	235.3	94,300 *				36
38	81.8	235.0	89,300 *	71,900 *			38
40	81.3	234.7	84,700 *	70,500 *			40
45	80.0	233.8	75,400 *	66,900 *	55,100 *	44,600 *	45
50	78.7	232.8	68,000 *	61,000 *	52,700 *	44,500 *	50
55	77.5	231.7	61,900 *	56,000 *	50,400 *	42,700 *	55
60	76.2	230.5	56,400 *	51,400 *	47,000 *	40,900 *	60
65	74.9	229.2	51,700 *	47,300	43,100	39,200 *	65
70	73.6	227.8	46,700	42,600	38,900	35,700	70
75	72.3	226.2	42,100	38,500	35,300	32,500	75
80	71.0	224.5	38,100	35,000	32,200	29,600	80
85	69.6	222.7	34,600	31,900	29,400	27,200	85
90	68.3	220.7	31,500	29,100	26,900	24,900	90
95	67.0	218.6	28,800	26,700	24,700	22,900	95
100	65.6	216.4	26,400	24,500	22,700	21,100	100
105	64.2	214.0	24,200	22,500	20,900	19,500	105
110	62.8	211.4	22,300	20,700	19,300	17,900	110
115	61.4	208.8	20,500	19,100	17,800	16,600	115
120	60.0	205.9	18,900	17,600	16,400	15,300	120
125	58.5	202.9	17,500	16,300	15,200	14,100	125
130	57.0	199.7	16,100	15,000	14,000	13,100	130
135	55.5	196.3	14,900	13,900	12,900	12,100	135
140	54.0	192.7	13,700	12,800	11,900	11,100	140
145	52.4	188.9	12,600	11,800	11,000	10,200	145
150	50.8	184.9	11,600	10,900	10,100	9,400	150
155	49.2	180.6	10,700	10,000	9,300	8,700	155
160	47.5	176.1	9,900	9,200	8,600	7,900	160
165	45.8	171.3	9,000	8,400	7,800	7,300	165
170	44.0	166.3	8,300	7,700	7,200	6,600	170
175	42.2	160.8	7,600	7,000	6,500	6,000	175
180	40.3	155.1	6,900	6,400	5,900	5,500	180
185	38.3	148.9	6,200	5,800	5,400	4,900	185
190	36.2	142.2	5,600	5,200	4,800	4,400	190
195	34.0	135.0	5,100	4,700	4,300		195
200	31.7	127.1	4,500	4,200			200
205	29.2	118.5	4,000				205



Liftcrane Boom Capacities

777 SERIES 2

Boom No. 78
 142,000 Lb. Crane Counterweight
 44,000 Lb. Carbody Counterweight
 Crawler Machine on a Barge
 0 Degree thru 3 Degree Machine List
 No Travel - 360 Degree Rating

Oper. Radius Feet	Boom Angle Deg.	Boom Point Elev. Feet	0 Degree List Boom Capacity Pounds	1 Degree List Boom Capacity Pounds	2 Degree List Boom Capacity Pounds	3 Degree List Boom Capacity Pounds	Oper. Radius Feet
240 Ft. BOOM							
36	82.6	245.4	88,500 *				36
38	82.1	245.1	87,100 *				38
40	81.6	244.8	82,600 *	67,700 *			40
45	80.4	244.0	73,200 *	64,500 *	51,900 *		45
50	79.2	243.0	65,900 *	58,700 *	50,700 *	39,700 *	50
55	78.0	242.0	60,000 *	53,900 *	48,700 *	39,600 *	55
60	76.8	240.8	55,000 *	49,900 *	45,300 *	39,400 *	60
65	75.5	239.6	50,400 *	45,900 *	42,000 *	38,000 *	65
70	74.3	238.2	46,400 *	42,100	38,300	35,000	70
75	73.0	236.7	41,800	38,100	34,800	31,800	75
80	71.8	235.1	37,700	34,500	31,600	29,000	80
85	70.5	233.3	34,300	31,400	28,900	26,600	85
90	69.3	231.5	31,200	28,700	26,400	24,400	90
95	68.0	229.5	28,500	26,300	24,300	22,400	95
100	66.7	227.3	26,100	24,100	22,300	20,600	100
105	65.4	225.1	23,900	22,100	20,500	19,000	105
110	64.0	222.7	22,000	20,400	18,900	17,500	110
115	62.7	220.1	20,200	18,800	17,400	16,100	115
120	61.3	217.4	18,600	17,300	16,000	14,800	120
125	60.0	214.6	17,100	15,900	14,800	13,700	125
130	58.6	211.5	15,800	14,700	13,600	12,600	130
135	57.2	208.4	14,600	13,500	12,500	11,600	135
140	55.7	205.0	13,400	12,500	11,500	10,700	140
145	54.3	201.4	12,300	11,500	10,600	9,800	145
150	52.8	197.7	11,300	10,500	9,800	9,000	150
155	51.2	193.7	10,400	9,700	8,900	8,300	155
160	49.7	189.5	9,600	8,900	8,200	7,500	160
165	48.1	185.1	8,700	8,100	7,500	6,900	165
170	46.5	180.4	8,000	7,400	6,800	6,200	170
175	44.8	175.5	7,300	6,700	6,200	5,600	175
180	43.0	170.2	6,600	6,100	5,600	5,100	180
185	41.2	164.6	6,000	5,500	5,000	4,500	185
190	39.4	158.6	5,300	4,900	4,500	4,000	190
195	37.4	152.3	4,800	4,400			195
200	35.4	145.4	4,200				200



Liftcrane Boom Capacities

777 SERIES 2

Boom No. 78
 142,000 Lb. Crane Counterweight
 44,000 Lb. Carbody Counterweight
 Crawler Machine on a Barge
 0 Degree thru 3 Degree Machine List
 No Travel - 360 Degree Rating

Oper. Radius Feet	Boom Angle Deg.	Boom Point Elev. Feet	0 Degree List Boom Capacity Pounds	1 Degree List Boom Capacity Pounds	2 Degree List Boom Capacity Pounds	3 Degree List Boom Capacity Pounds	Oper. Radius Feet
250 Ft. BOOM							
38	82.4	255.2	85,000 *				38
40	82.0	254.9	80,500 *				40
45	80.8	254.1	71,200 *	61,200 *			45
50	79.6	253.2	64,000 *	56,600 *	46,600 *		50
55	78.5	252.2	58,100 *	51,900 *	45,700 *	35,300 *	55
60	77.3	251.1	53,300 *	48,000 *	43,300 *	35,300 *	60
65	76.1	249.9	48,800 *	44,300 *	40,300 *	35,200 *	65
70	74.9	248.6	44,900 *	40,900 *	37,400 *	33,900 *	70
75	73.7	247.1	41,400	37,600	34,200	31,200	75
80	72.5	245.6	37,400	34,100	31,100	28,400	80
85	71.3	243.9	33,900	31,000	28,400	26,000	85
90	70.1	242.1	30,900	28,300	25,900	23,800	90
95	68.9	240.2	28,200	25,900	23,800	21,800	95
100	67.7	238.2	25,800	23,700	21,800	20,100	100
105	66.4	236.1	23,600	21,700	20,000	18,400	105
110	65.1	233.8	21,700	20,000	18,400	17,000	110
115	63.9	231.3	19,900	18,400	16,900	15,600	115
120	62.6	228.8	18,300	16,900	15,600	14,400	120
125	61.3	226.1	16,800	15,500	14,300	13,200	125
130	60.0	223.2	15,500	14,300	13,200	12,100	130
135	58.6	220.2	14,200	13,100	12,100	11,200	135
140	57.3	217.0	13,100	12,100	11,100	10,200	140
145	55.9	213.7	12,000	11,100	10,200	9,400	145
150	54.5	210.2	11,000	10,100	9,300	8,600	150
155	53.1	206.5	10,100	9,300	8,500	7,800	155
160	51.6	202.5	9,200	8,500	7,800	7,100	160
165	50.1	198.4	8,400	7,700	7,100	6,400	165
170	48.6	194.1	7,600	7,000	6,400	5,800	170
175	47.0	189.5	6,900	6,300	5,800	5,200	175
180	45.5	184.6	6,200	5,700	5,200	4,600	180
185	43.8	179.5	5,600	5,100	4,600	4,100	185
190	42.1	174.1	5,000	4,500	4,100		190
195	40.4	168.3	4,400	4,000			195



Liftcrane Boom Capacities

777 SERIES 2

Boom No. 78
 142,000 Lb. Crane Counterweight
 44,000 Lb. Carbody Counterweight
 Crawler Machine on a Barge
 0 Degree thru 3 Degree Machine List
 No Travel - 360 Degree Rating

Oper. Radius Feet	Boom Angle Deg.	Boom Point Elev. Feet	0 Degree List Boom Capacity Pounds
260 Ft. BOOM			
40	82.3	265.0	77,200 *
45	81.2	264.3	68,800 *
50	80.0	263.4	61,600 *
55	78.9	262.4	55,900 *
60	77.8	261.4	51,100 *
65	76.7	260.2	47,100 *
70	75.5	258.9	43,300 *
75	74.4	257.6	39,900 *
80	73.2	256.1	36,900 *
85	72.1	254.5	33,600
90	70.9	252.8	30,500
95	69.7	251.0	27,800
100	68.6	249.0	25,400
105	67.4	247.0	23,200
110	66.2	244.8	21,300
115	65.0	242.5	19,500
120	63.7	240.0	17,900
125	62.5	237.4	16,400
130	61.2	234.7	15,100
135	60.0	231.9	13,800
140	58.7	228.9	12,700
145	57.4	225.7	11,600
150	56.1	222.4	10,600
155	54.7	218.9	9,700
160	53.3	215.2	8,800
165	51.9	211.3	8,000
170	50.5	207.3	7,200
175	49.1	203.0	6,500
180	47.6	198.5	5,800 *
185	46.1	193.8	5,100 *
190	44.5	188.7	4,400 *