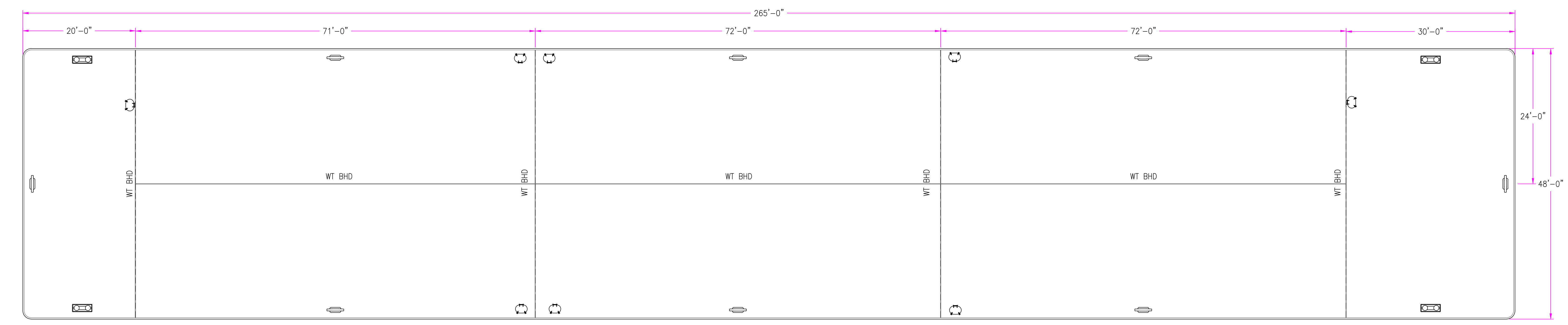


9 8 7 6 5 4 3 2 1

D

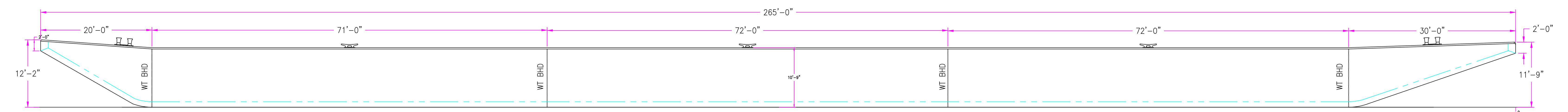
D



GENERAL ARRANGEMENT
SCALE 1/8" = 1'-0"

C

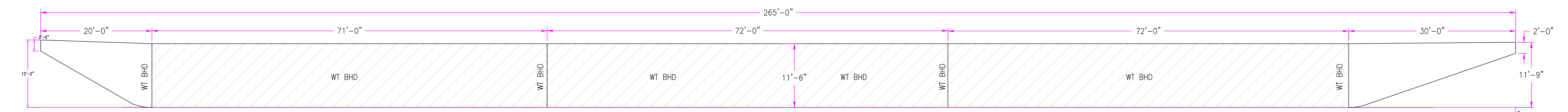
C



OUTBOARD PROFILE
SCALE 1/8" = 1'-0"

B

B



CENTERLINE PROFILE
SCALE 1/8" = 1'-0"

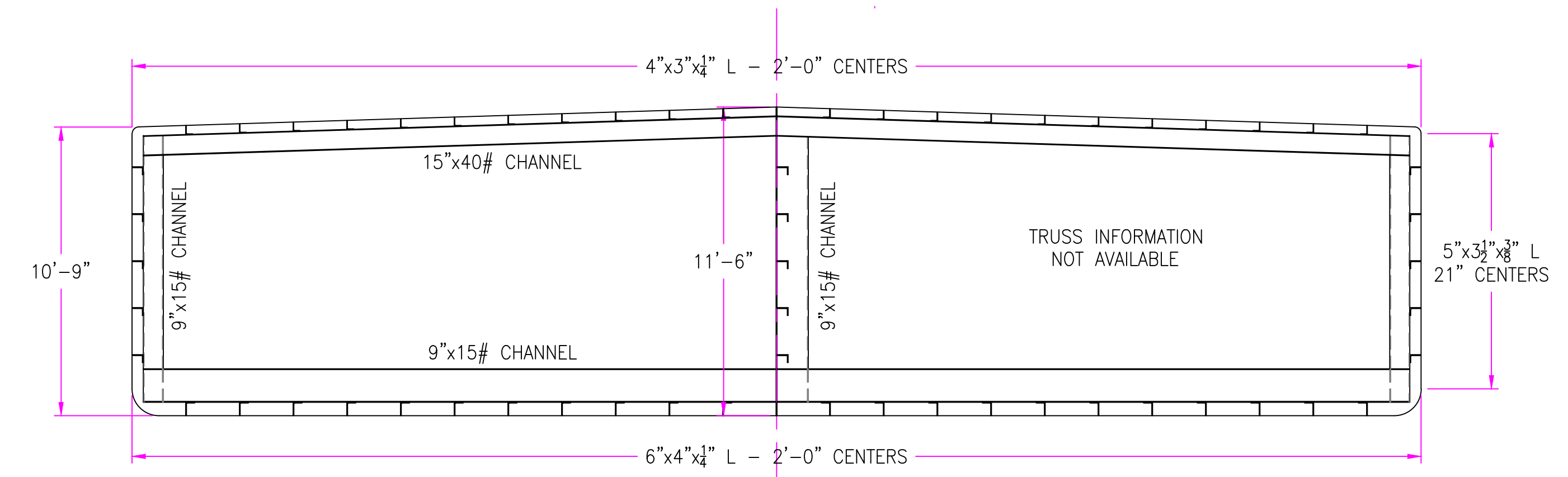
B

B

A

A

PRINCIPLE CHARACTERISTICS:
 LENGTH OVERALL.....265'-0"
 BEAM OVERALL.....48'-0"
 DEPTH (MOLDED AT CL).....11'-6"
 DEPTH (MOLDED AT SIDE).....10'-9"



TYPICAL SECTION
SCALE 1/8" = 1'-0"

THIS DRAWING/DOCUMENT IS CONFIDENTIAL AND THE PROPERTY OF FARRELL AND NORTON NAVAL ARCHITECTS AND MUST NOT BE USED FOR MANUFACTURE, COPIED OR COMMUNICATED TO ANY OTHER PERSON WITHOUT EXPRESS PERMISSION.

FARRELL & NORTON NAVAL ARCHITECTS
 NAVAL ARCHITECTS AND MARINE ENGINEERS
 PO BOX 66 NEWCASTLE, ME 04553
 (207) 563-3210 (THOMAS) (617) 308-1074 (GARRETT)

GENERAL ARRANGEMENTS & PROFILES

PROJECT: "BOBBY JR" DECK CARGO BARGE, 265' x 48' x 11'-6"

DRAWN BY: TMF DATE: 3/3/2020

APPROVED BY: GUN SCALE: 1/8" = 1'-0"

DWG #: SEI-2008-100 ALT: 1

COPYRIGHT (C) 2020 FARRELL AND NORTON NAVAL ARCHITECTS

9 8 7 6 5 4 3 2 1