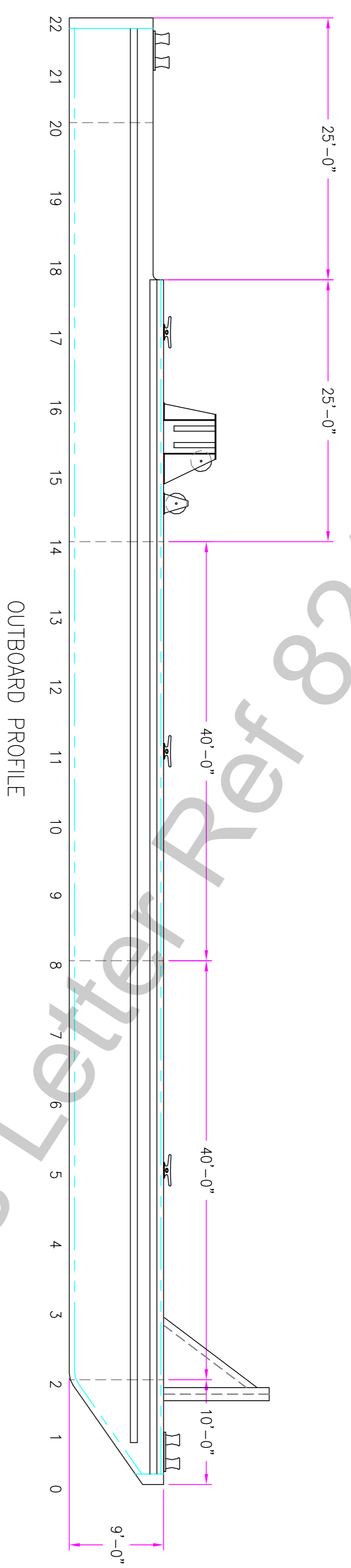
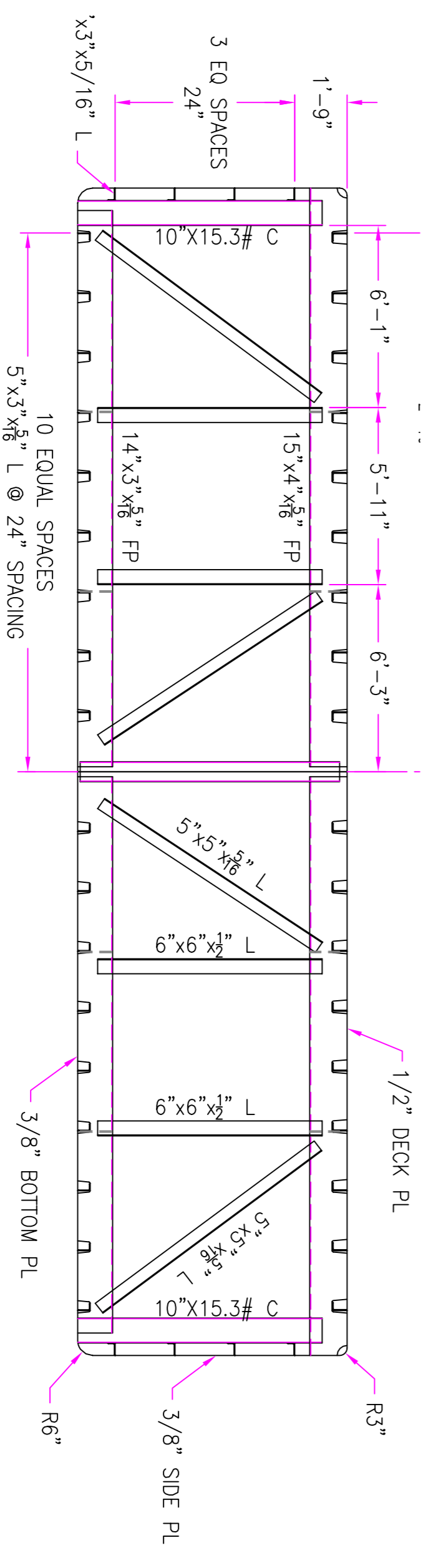


GENERAL ARRANGEMENT - HOLD
PLAN VIEW



OUTBOARD PROFILE



TYPICAL SECTION
TRUSS FRAME
SCALE: 1/8" = 1'



REV	DATE	DESCRIPTION
1		ISSUED FOR CONSTRUCTION

THIS DRAWING/DOCUMENT IS CONFIDENTIAL AND THE PROPERTY OF FARRELL AND NORTON NAVAL ARCHITECTS AND MUST NOT BE USED FOR MANUFACTURE, COPIED OR COMMUNICATED TO ANY OTHER PERSON WITHOUT EXPRESS PERMISSION.
FARRELL & NORTON NAVAL ARCHITECTS
 NAVAL ARCHITECTS AND MARINE ENGINEERS
 NEWCASTLE, ME 04553
 (207) 563-3210 (TOM) (617) 308-1074 (GARRETT)

GENERAL ARRANGEMENTS AND PROFILE

PROJECT: 140' DECK BARGE	DATE: 04/15/11
DRAWN BY: TME	SCALE: 1/8" = 1'
APPROVED BY: GJN	ALT: 0
DWG #: B-227-02	