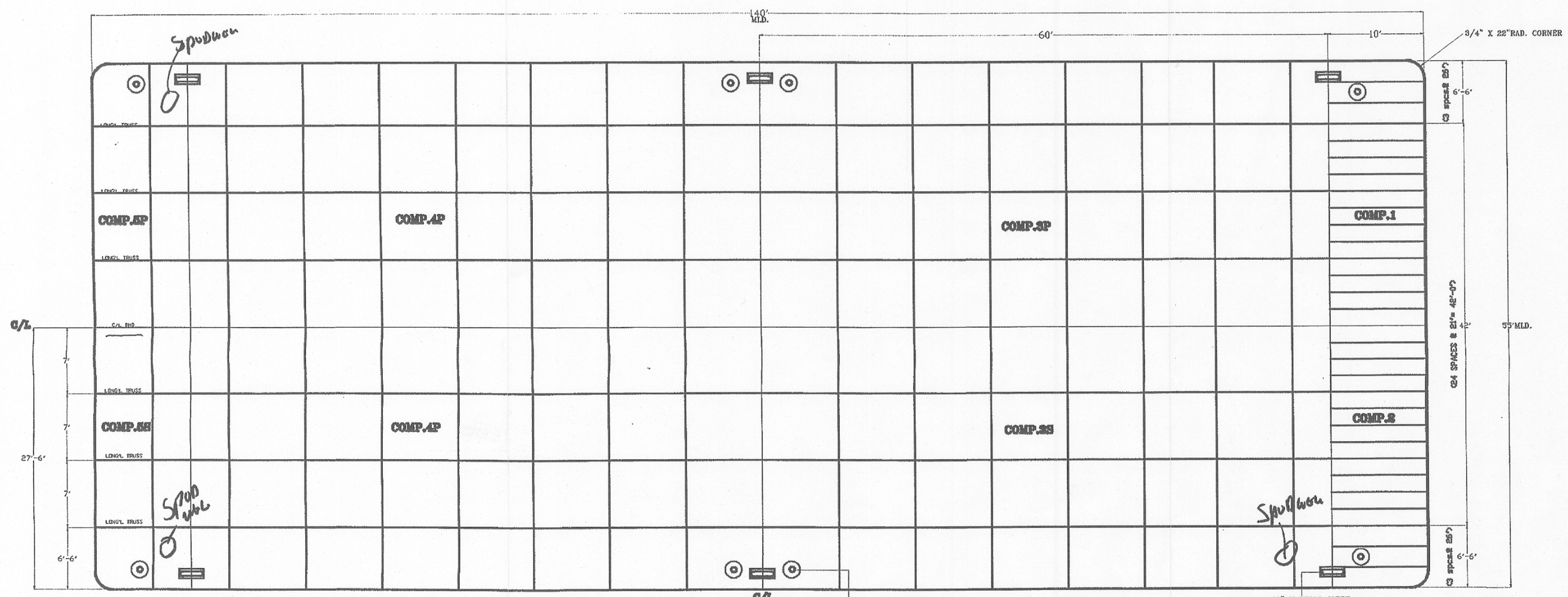


REVISIONS			
REV	SHT	DESCRIPTION	DATE

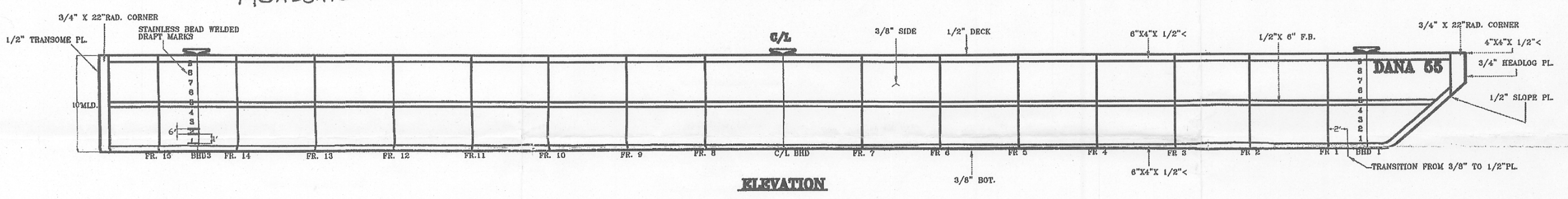
GENERAL NOTES
SPUD WELL LOCATION TRD BY OWNER

LEGEND

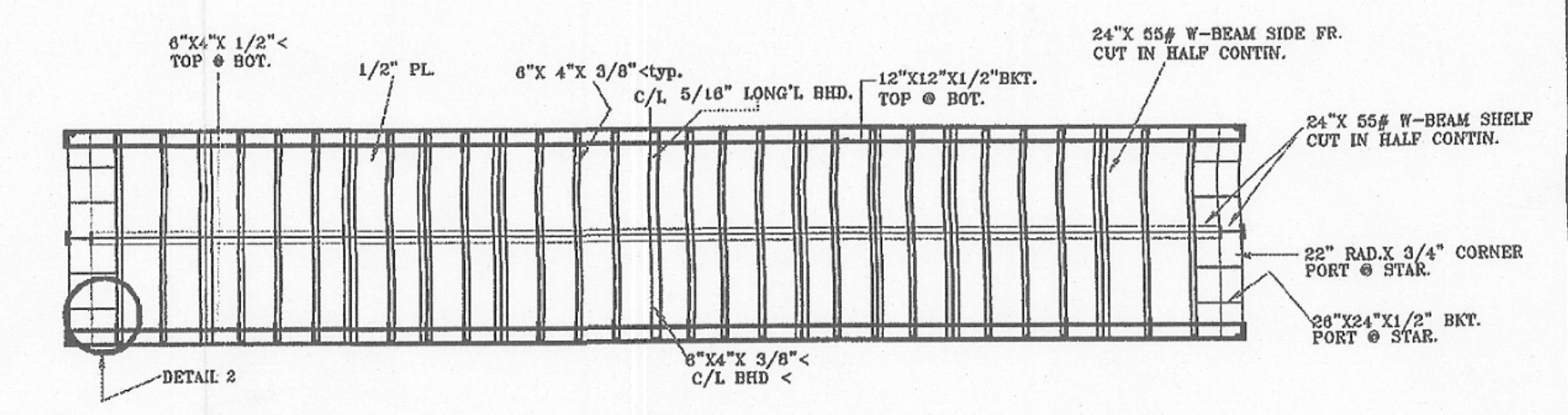


*BARGE DANA 55
140X55X10 - 3 mt spud wells*

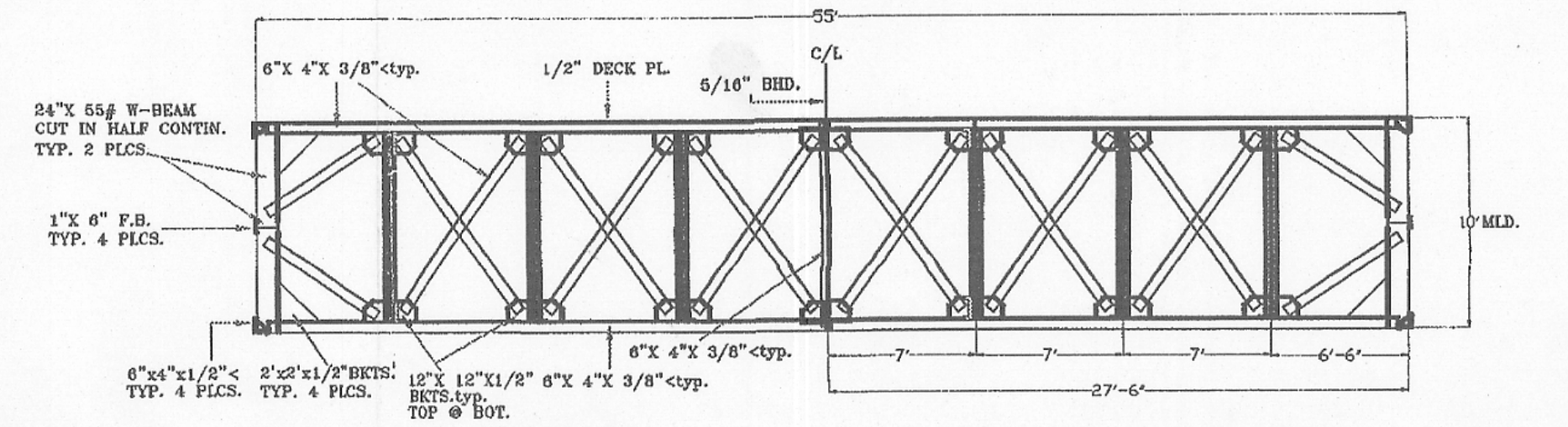
PLAN VIEW



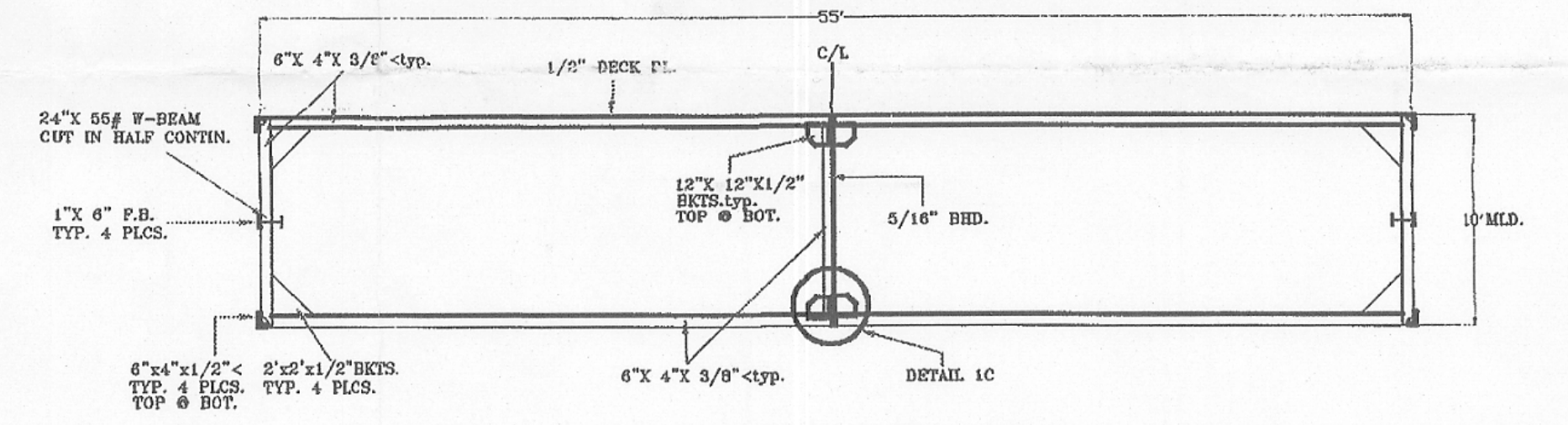
ELEVATION



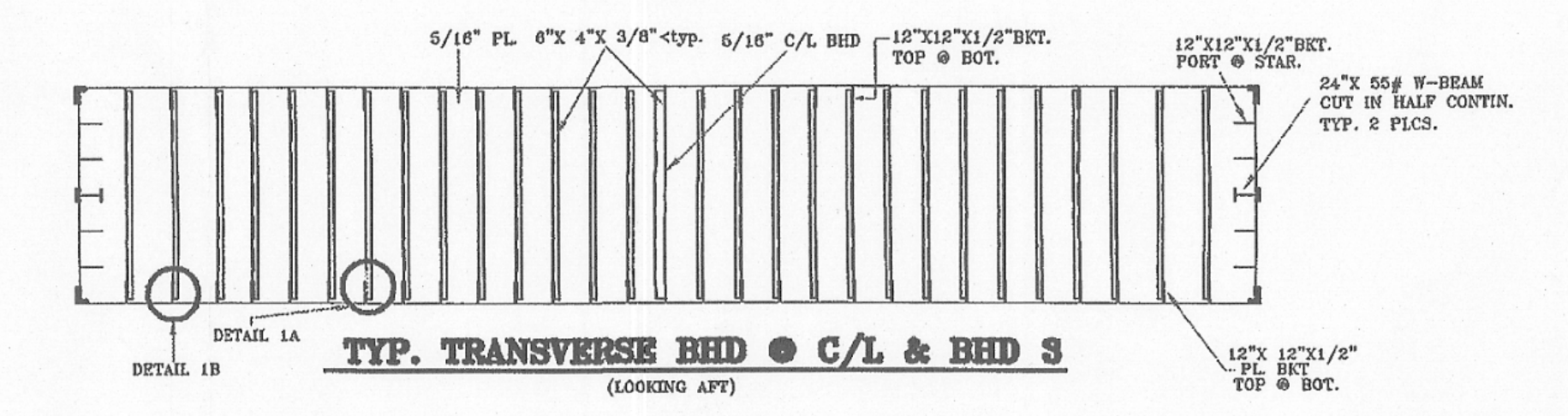
TRANSVERSE PLATE
(LOOKING AFT)



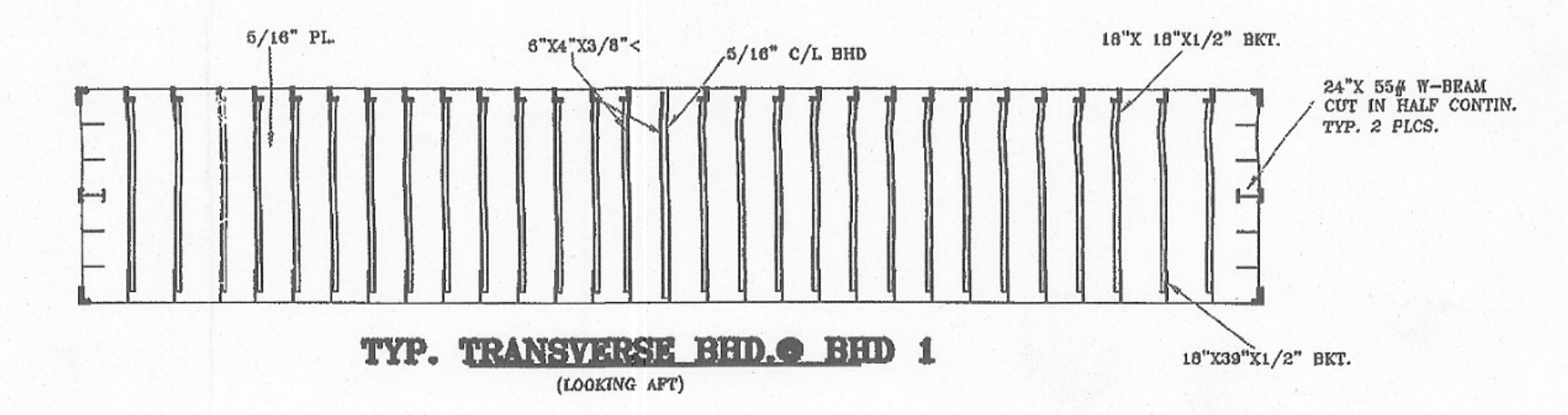
SECTION @ TRANS TRUSS
(LOOKING AFT)



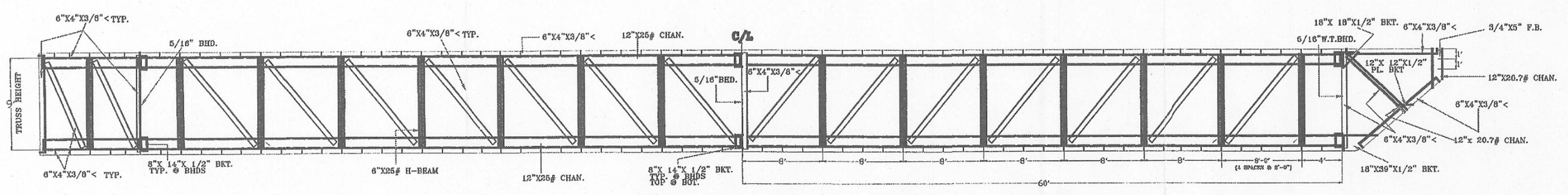
SECTION @ TRANS FRAME
(LOOKING AFT)



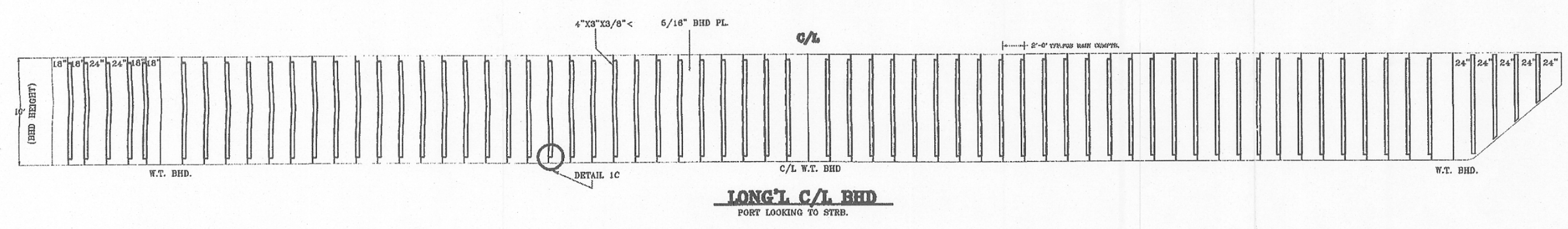
TYP. TRANSVERSE BHD @ C/L & BHD 3
(LOOKING AFT)



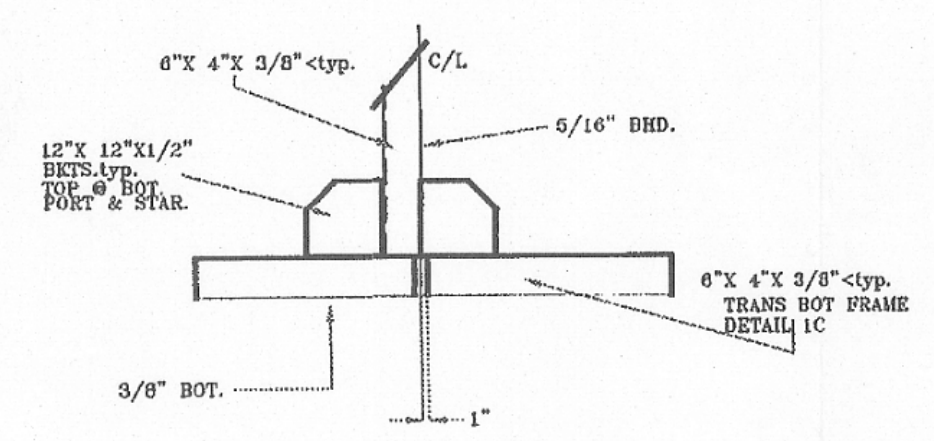
TYP. TRANSVERSE BHD @ BHD 1
(LOOKING AFT)



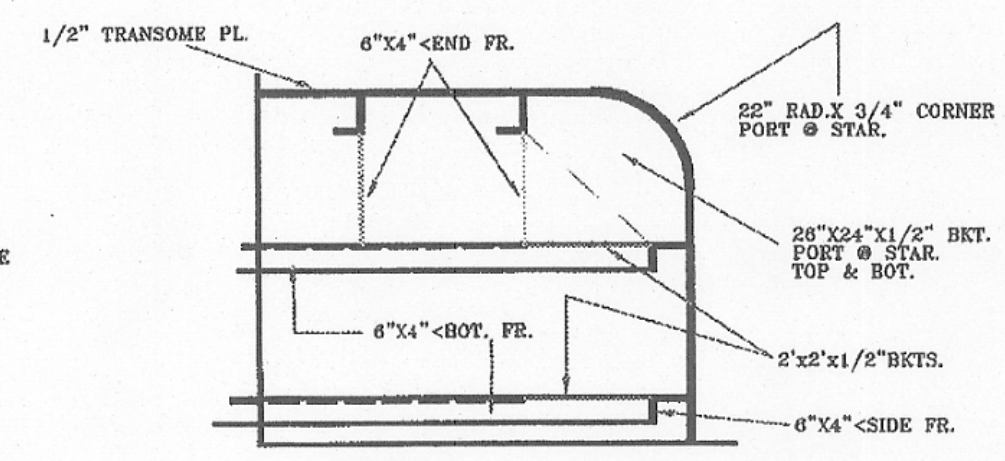
TYPICAL LONG'L TRUSS
PORT LOOKING TO STBR.



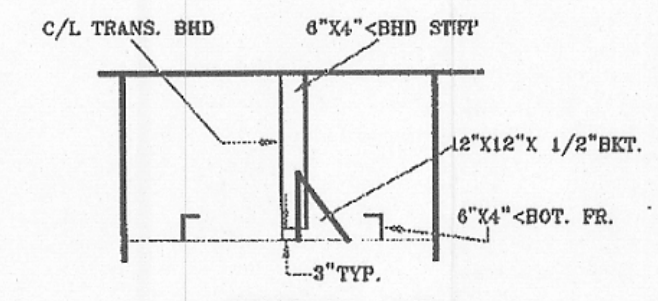
LONG'L C/L BHD
PORT LOOKING TO STBR.



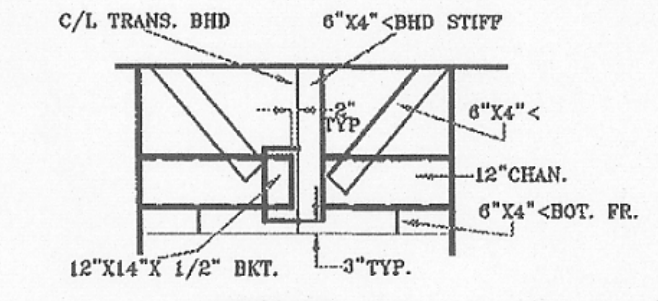
DETAIL 1C
(LONG'L C/L BHD CONN. TO BOT. FR.)



DETAIL 2
(TRANSVERSE CORNER)



DETAIL 1B
(BKT. CONN. TO BHD STIFF @ C/L TRANS BHD)



DETAIL 1A
(LONG'L TRUSS CONN. TO C/L TRANS BHD)

Thomas J Feeney enterprises, inc.
614 ABREL STREET KINGSTON, NEW YORK 12401 PHONE (914) 331-5610 FAX (914) 331-0049

TJF

DRAWN: S.F.	DATE: 01/12/00	PROJECT LOC. KINGSTON, NEW YORK
CHECKED BY:	DATE:	140' X 55' X 10' CRANE BARGE
APP'D. ABS:	DATE:	SCALE: NTS
APP'D USCC:	DATE:	SHEET 1-9-1
JOB NO.:	DWG NO. 01-100	REV

Draw 55