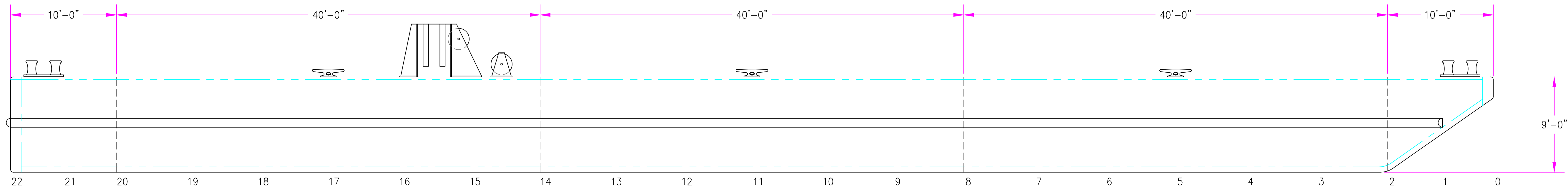
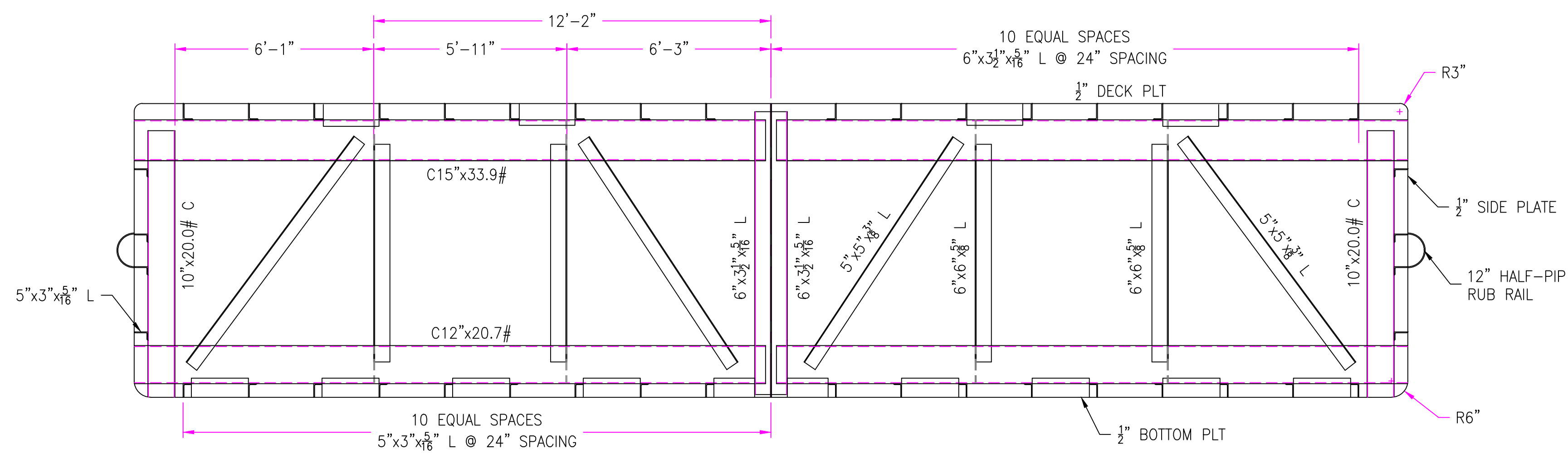


GENERAL ARRANGEMENT - HOLD
PLAN VIEW



OUTBOARD PROFILE



TYPICAL SECTION
TRUSS FRAME
SCALE: 3/8" = 1'

ALT	REVISION	DATE:
THIS DRAWING/DOCUMENT IS CONFIDENTIAL AND THE PROPERTY OF THOMAS M. FARRELL AND GARRETT NORTON AND MUST NOT BE USED FOR MANUFACTURE, COPIED OR COMMUNICATED TO ANY OTHER PERSON WITHOUT EXPRESS PERMISSION.		
FARRELL & NORTON NAVAL ARCHITECTS NAVAL ARCHITECTS AND MARINE ENGINEERS		
PO BOX 66 (207) 563-3210 (THOMAS)		NEWCASTLE, ME 04553 (617) 308-1074 (GARRETT)
GENERAL ARRANGEMENTS AND PROFILE		
PROJECT: 140'x39'x9' DECK BARGE		
DRAWN BY: TMF	DATE: 05/10/23	
APPROVED BY: GJN	SCALE: 3/16" = 1'	
DWG #: B-264A-02	ALT: 0	