

Standard Equipment

Standard equipment may vary. Consult your Caterpillar dealer for specifics.

Air cleaner, dual element, radial seal
 Alternator, 55-amp
 Armrest, pull down
 Battery, 12-volt, 650 CCA
 Brake, parking, SAHR
 Controls, pilot-operated, hydraulic
 Coupler, mechanical, quick
 Engine, Cat 3034 diesel
 Filter, fuel, bayonet-mount
 Filter, hydraulic, spin-on, 5 micron
 Filter, oil, spin-on
 Falling Object Protective Structure,
 Level I
 Hydraulic system
 Instrumentation:
 Audible
 - engine coolant temperature
 - engine oil pressure
 - hydraulic oil temperature
 Gauges
 - fuel level
 - hour meter, digital

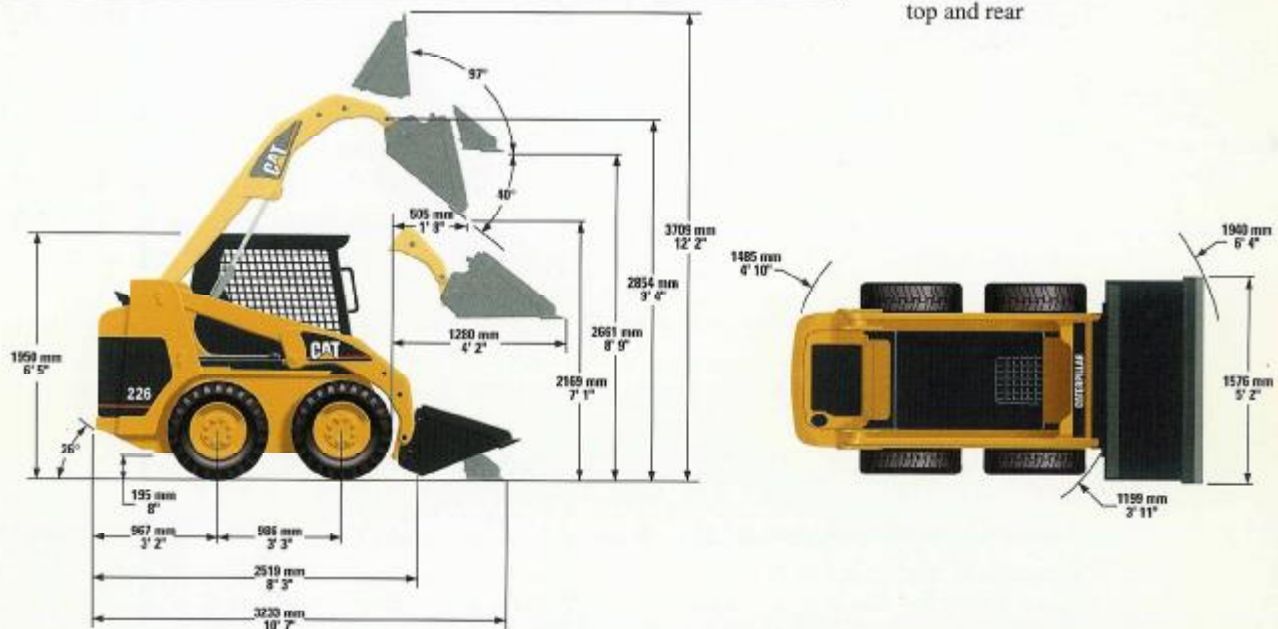
Indicators
 - air filter restriction
 - alternator output
 - engine coolant temperature
 - engine oil pressure
 - hydraulic filter restriction
 - hydraulic oil temperature
 - turn signal
 - parking brake engaged
 Liner, cab bottom, sound suppression
 Muffler, spark arresting
 Scheduled Oil Sampling (S•O•S) valves
 Starting aid, glow plugs
 Seat, static
 Seat belt, retractable, 50 mm (2 in)
 Support, lift arm
 Switch, ignition
 Tail lights
 Tie-downs, front and rear
 Precleaner, self-unloading
 Pump, hydraulic, tandem gear
 Pump, Hystat charge and hydraulic fan
 Valve, hydraulic, two-section
 Water separator, bayonet mount

Optional Equipment

Alarm, back up
 Control, work tool, electrical
 Door, front, laminated glass with wiper/washer
 Door, front, polycarbonate, with wiper/washer, for demolition use
 Falling Object Protective Structure, Level II
 Headliner
 Heater, engine coolant
 Horn
 Hydraulics, auxiliary
 Lifting provision:
 four-point
 single-point
 Lights:
 front working
 rear working
 warning beacon, rotating
 Seat, suspension
 Seat belt, 75 mm (3 in) for static seat
 Seat belt, 75 mm (3 in) for suspension seat
 Tank, water, for broom work tool
 Tires:
 7.50 x 16 Solid 60" ITL
 10 x 16.5 60" AirBoss
 10 x 16.5 6 PR 60" GY SGL
 10 x 16.5 8 PR 60" GY IT323
 10 x 16.5 8 PR 60" Galaxy
 10 x 16.5 6 PR 66" GY SGL
 10 x 16.5 8 PR 66" IT323
 10 x 16.5 8 PR 66" Galaxy
 31-15.5 x 15 66" Flotation
 Windows:
 side, sliding
 top and rear

Dimensions (approximate)

Dimensions shown are based on standard machine equipped with optional 10 x 16.5 6 PR tires and 1525 mm (60 in) Dirt Bucket.



Engine

Caterpillar 3034 naturally aspirated, watercooled, four-stroke cycle, four-cylinder diesel.

Ratings at 2600 rpm		
	kW	hp
Gross power	43	58
Net power	41	54
Dimensions		
Bore	97 mm	3.82 in
Stroke	100 mm	3.94 in

Net power rating per SAE J1349, ISO 9249:EEC 80/1269.

The Caterpillar 3034 engine meets the EPA and projected EU Stage 1 emission requirements through 2004.

Cab

Rollover Protective Structure (ROPS) and Falling Objects Protective Structure (FOPS).

- ROPS meets SAE J1040 MAY94 and ISO 3471:1994
- FOPS meets SAE J1043 SEP87 and ISO 3449:1992 Level I
- FOPS Level II meets SAE J231 JAN81 and ISO 3449:1992 Level II (optional)

Power Train, Axles and Brakes

Dual, closed-loop, axial piston hydrostatic pumps driven directly off engine. Pumps provide pressure and flow to two fixed displacement motors.

Travel speed with 10 x 16.5 tires:		
	km/h	mph
Forward/reverse	11.1	7

Features

- Single, hydraulically-operated joystick, controls speed and direction
- Forged, induction-hardened axles are sealed for life and maintenance free
- Direct sprocket to chain drive
- Hydrostatic service brakes
- Multi-disc, spring-applied hydraulically released parking brake
- Anti-stall system maximizes torque to the wheels without stalling engine

Operating Specifications

Rated operating capacity*	680 kg	1500 lb
Operating weight	2584 kg	5697 lb
Loader lift capacity	1183 kg	2608 lb
Breakout force, lift cylinder	1422 kg	3136 lb ft
Breakout force, tilt cylinder	1770 kg	3903 lb ft

*SAE J818 MAY87, ISO 5998:1986

Note: When equipped with:
Dirt Bucket 1525 mm (60 in)
10 X 16.5 6 PR tires
full fuel 65 kg (143 lb)
operator 75 kg (165 lb)

Service Refill Capacities

	liters	gallons
Chain box, each side	6	1.6
Cooling system	10	2.6
Engine crankcase	9	2.4
Fuel tank	65	17.0
Hydraulic system	55	14.5
Hydraulic tank	35	9.3

Loader Hydraulic System

Open center, fixed displacement.

Output at 2600 rpm and 23 425 kPa (3400 psi) is 57.2 l/min (15.1 gpm) with SAE 10W oil at 66°C (150°F).

Feature

- Single, hydraulically-operated joystick controls lift, lower and tilt functions