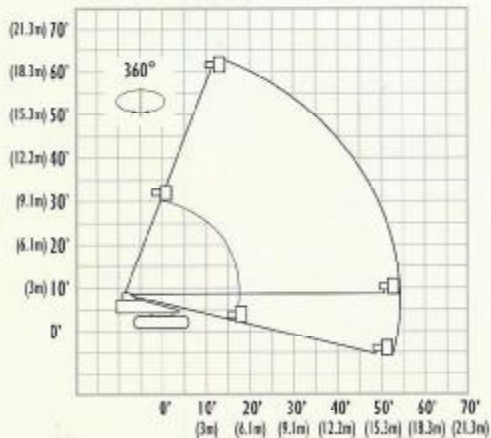


Operating Range



Note: The operating range is the same in any direction.

Description

Specifications

Maximum Platform Height	59ft	18m
Working Height	65ft	19.8m
Platform Capacity-Unrestricted	550 lbs.	250kg
Platform Size (DxWxH)	72in x 30in x 43in	1.83 x 0.75 x 1.1m
Horizontal Reach (centerline of rotation)	54ft 1in	16.5m
Gradeability (stowed)	51%	
Turret Rotation (slew)	360° Continuous	
Gross Vehicle Weight (approx)	29,700 lbs.	13,500kg
A Overall Length (stowed)	28ft 3in	8,610mm
B Overall Width	8ft 1in	2,460mm
C Overall Height (stowed)	8ft 4in	2,550mm
E Tumbler Center Distance	8ft 5in	2,575mm
F Crawler Center Distance	6ft 5in	1,960mm
G Crawler Shoe Width	19.7in	500mm
J Ground Clearance	16.7in	425mm
K Radius of Turret Swing	7ft 11in	2,420mm
Tail Swing (side overhang)	3ft 11.5in	1,203mm
Electric System	24 V DC	
Engine - Isuzu Diesel	69.5HP	51.8Kw
Inside Turn Radius	ZERO	0mm

This brochure is for illustrative purposes only. You must receive authorized training, and read and understand the Operators and Parts/Service manuals for proper procedures before operating equipment. The work platforms have been tested to comply with the applicable ANSI A92.5-1992 and CSA standards as interpreted by Aichi Corporation.

Price, specifications, models and brochures are subject to change without notice.



Easy-to-use proportional controls provide smooth operation and operator comfort.



Optional rubber track pads help protect finished surfaces from damage.



Work light illuminates work area for higher visibility and accurate positioning.