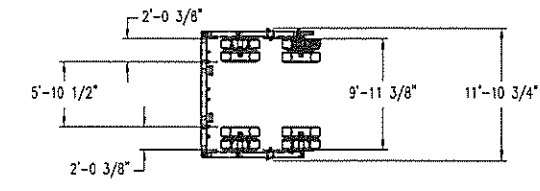
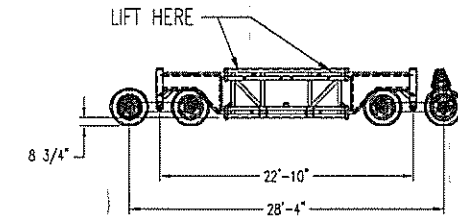


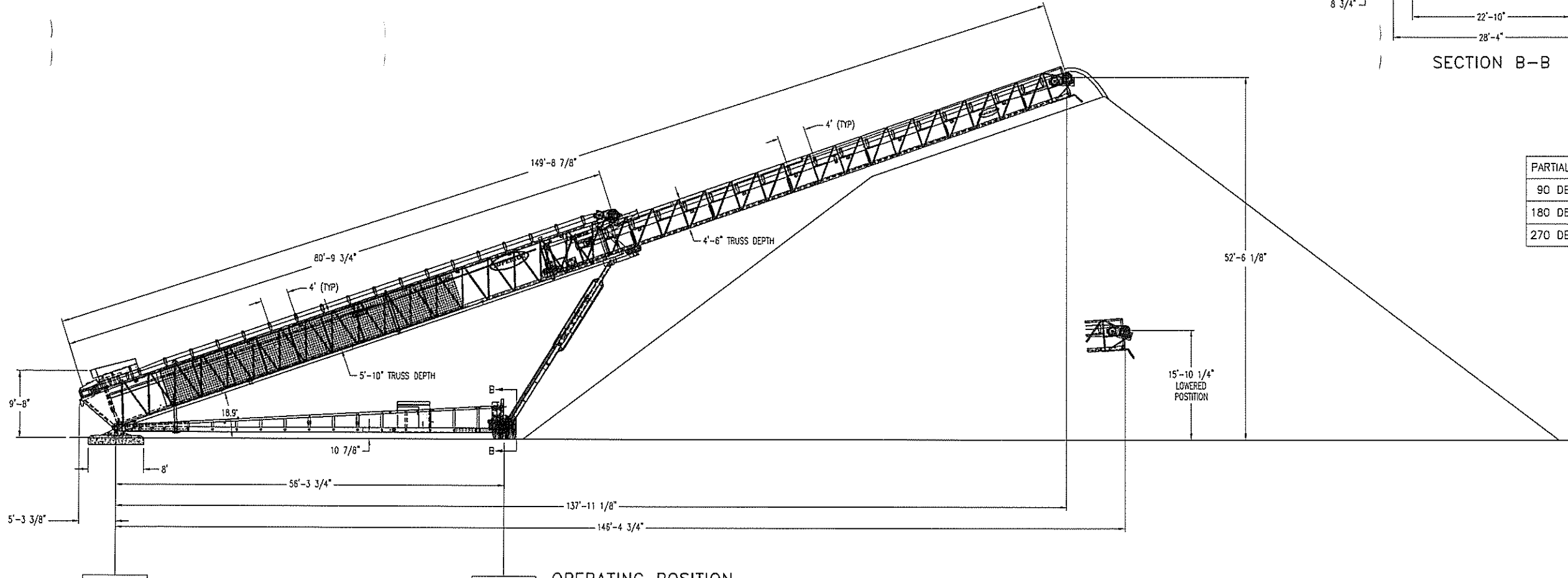
TRAVEL POSITION



SECTION A-A



SECTION B-B



OPERATING POSITION

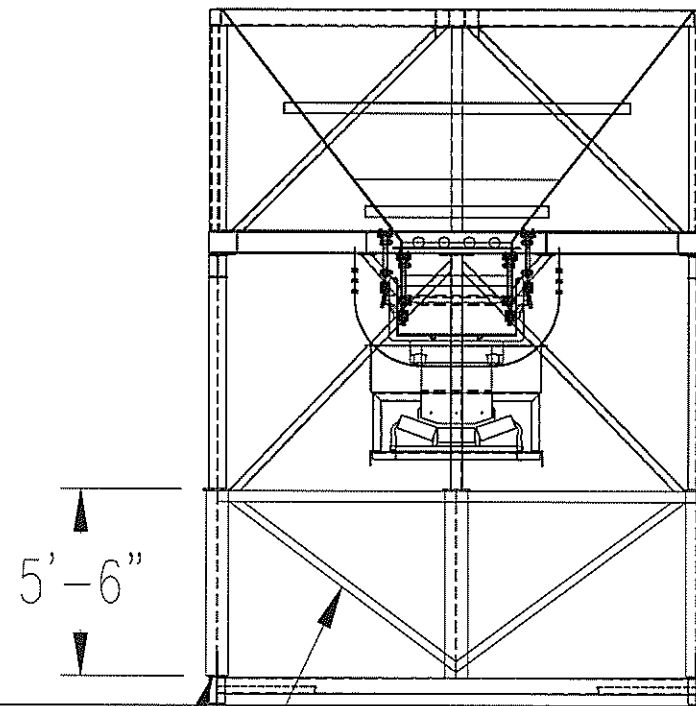
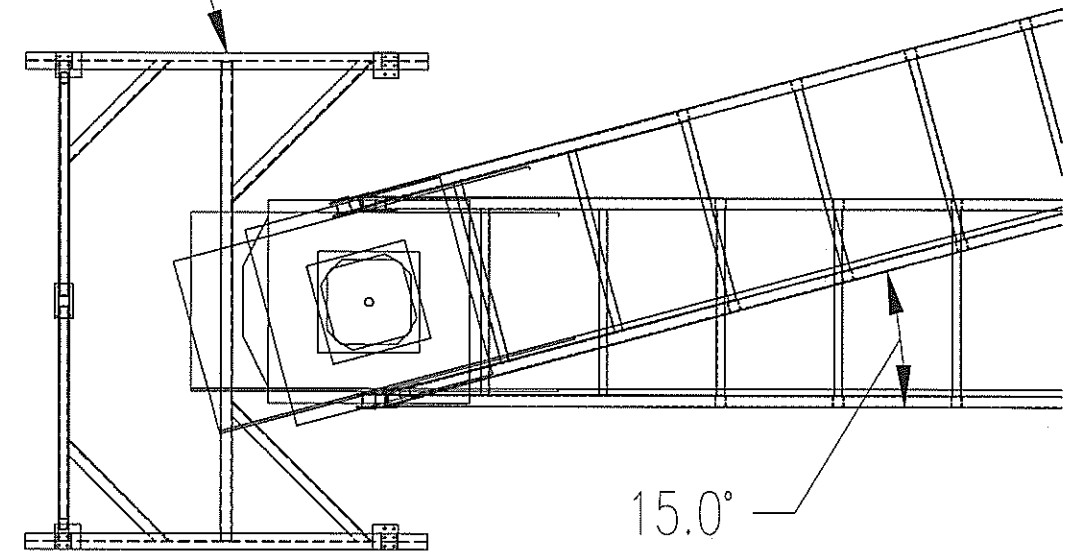
PARTIALLY DESEGREGATED PILE VOLUME		
90 DEG PILE	41,600	CUBIC YARDS
180 DEG PILE	73,600	CUBIC YARDS
270 DEG PILE	105,600	CUBIC YARDS

REACTION
6,000 lbs

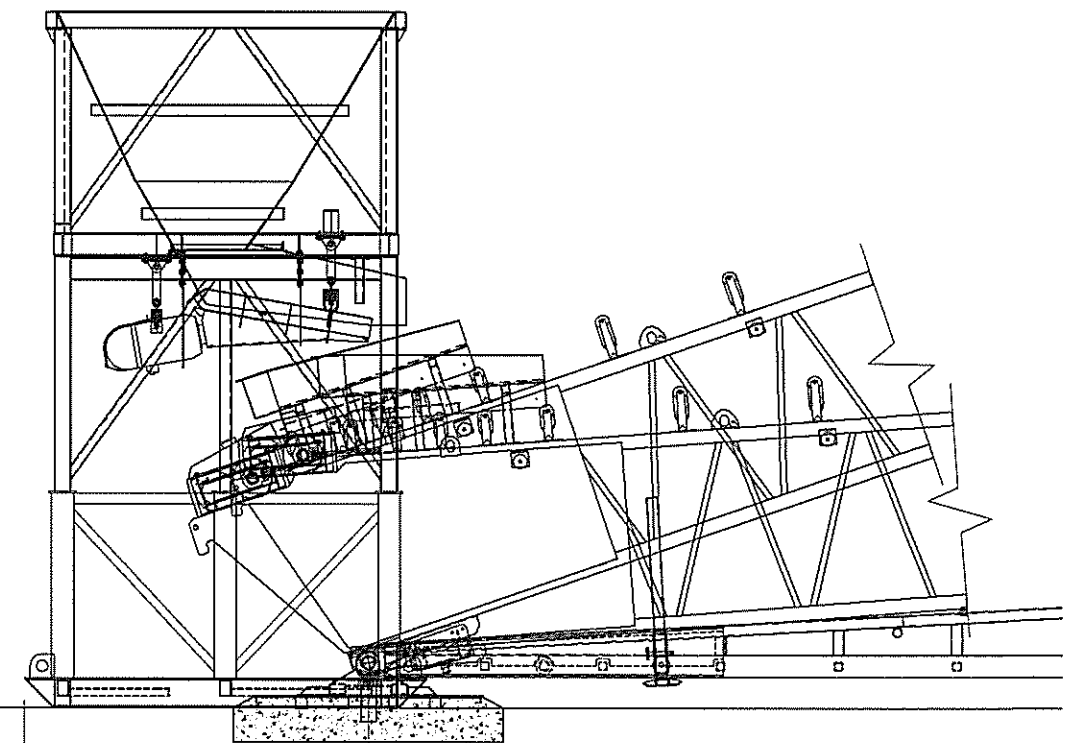
REACTION
66,000 lbs

THIS DRAWING IS THE PROPERTY OF SUPERIOR INDUSTRIES. IT IS NOT TO BE REPRODUCED IN ANY MANNER WITHOUT PERMISSION.		Equipment Division P.O. Box 684 Highway 28 East Morris, MN 56267	
ALL DIMENSIONS IN INCHES (UNO)		SUPERIOR	
TOLERANCES UNLESS NOTED OTHERWISE:		TELESCOPING RADIAL STACKING CONVEYOR, SWING-AXLE, 150' LG, TSPP150, 36" BW, 70" DP-54" DP, GENERAL ARRANGEMENT	
FRACTIONAL: ± 1/16"		DRAWN BY RAL DATE 1/19/2004	
ANGULAR: ± 1°		CHECKED BLD	
DECIMAL: 0.0: ± .1		SCALE (UNO) 1/8" = 1'	
0.00: ± .01		SIZE D	
0.000: ± .005		DRAWING NUMBER	
0.0000: ± .0020		B115-1000	
HOLE: ± 1/32"		FILE \\B\115\115-1000	
THIRD ANGLE PROJECTION	STOCK PART NO.		
REV.	DESCRIPTION OF REVISION	DATE	BY

EXISTING SKID BASE



10'-2 3/16"



CUT EXISTING STRUCTURE FROM SKID
ADD 5'6" EXTENSIONS & CROSS MEMBERS