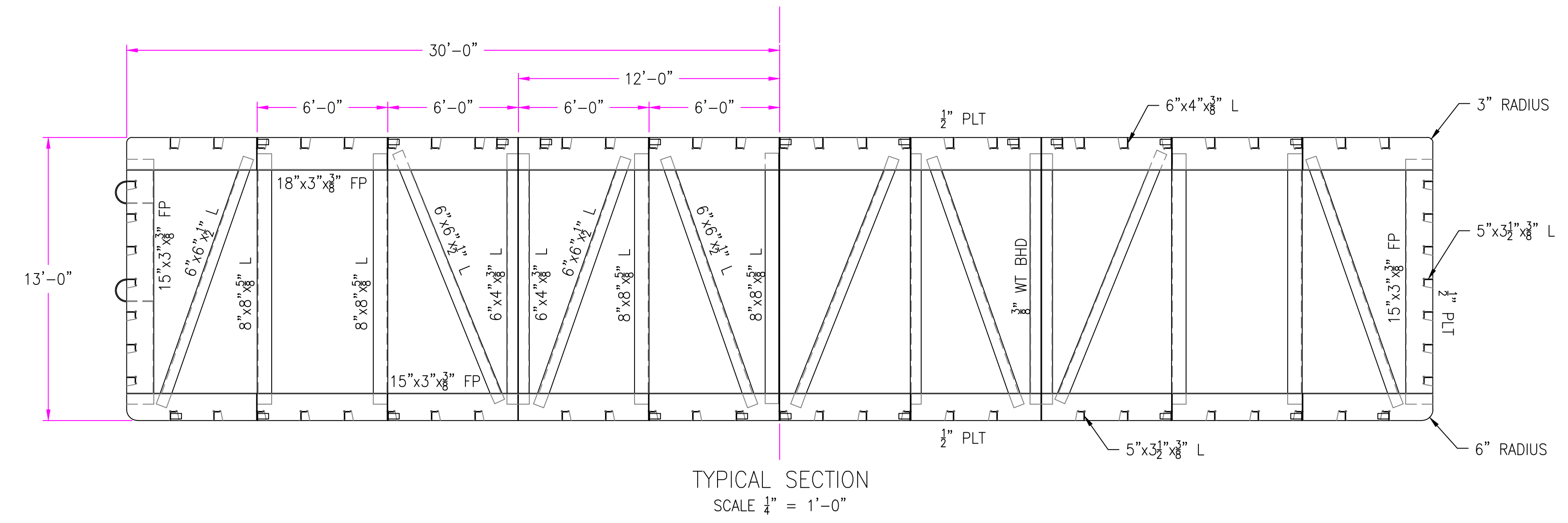
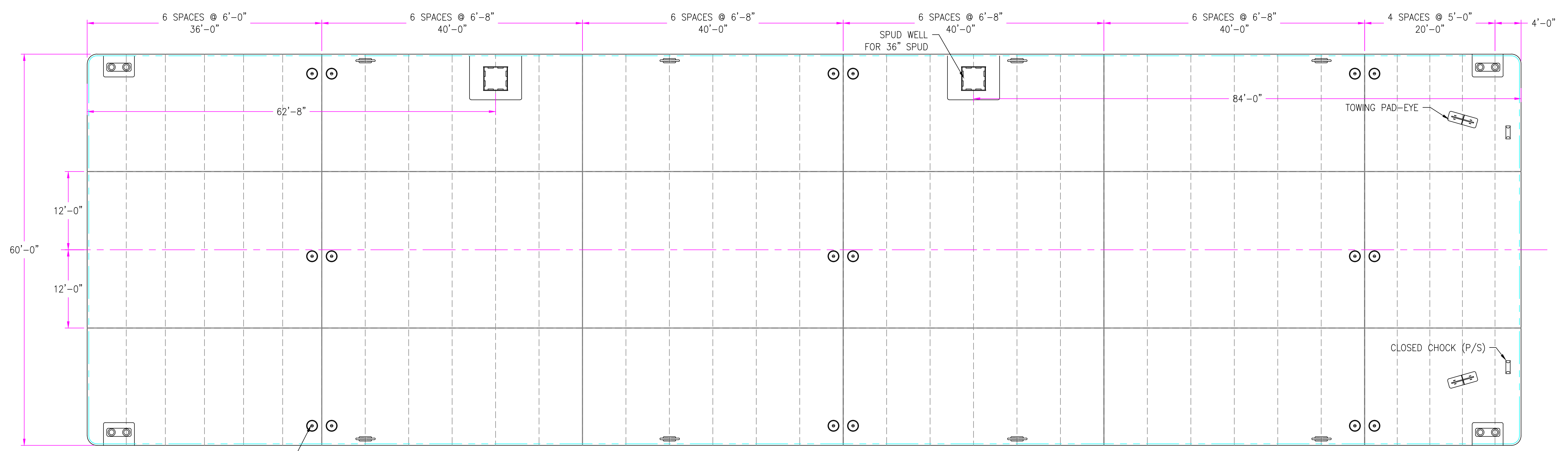
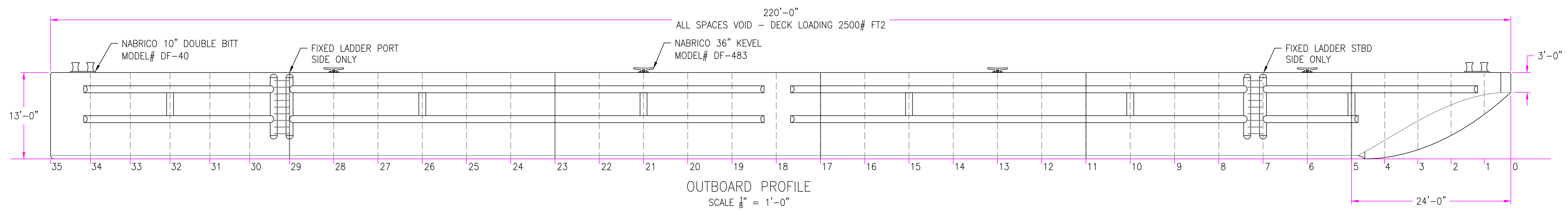


8 7 6 5 4 3 2 1



ALL MATERIAL TO BE ABS GRADE A

| ALT | REVISION | DATE: |
|---|-----------------|---|
| THIS DRAWING/DOCUMENT IS CONFIDENTIAL AND THE PROPERTY OF THOMAS M. FARRELL AND GARRETT NORTON AND MUST NOT BE USED FOR MANUFACTURE, COPIED OR COMMUNICATED TO ANY OTHER PERSON WITHOUT EXPRESS PERMISSION. | | |
| FARRELL & NORTON NAVAL ARCHITECTS NAVAL ARCHITECTS AND MARINE ENGINEERS | | |
| PO BOX 66 (207) 563-3210 (THOMAS) | | NEWCASTLE, ME 04553 (617) 308-1074 (GARRETT) |
| GENERAL ARRANGEMENTS & PROFILE | | |
| PROJECT: 220'x60'x13' DECK BARGE | | |
| DRAWN BY: TMF | DATE: 10/31/19 | |
| APPROVED BY: GJN | SCALE: AS SHOWN | |
| DWG #: D-137R-002 | ALT: 0 | |

COPYRIGHT (C) 2019 FARRELL AND NORTON NAVAL ARCHITECTS

8 7 6 5 4 3 2 1